



**PC1010N**

# Electric Air Compressor

## Operating Instructions



# SENCO®

Senco Brands, Inc.  
8450 Broadwell Road  
Cincinnati, OH 45244  
1-800-543-4596  
[www.senco.com](http://www.senco.com)



Warnings for the safe use of this tool are included in this manual.

Revision 5/31/13

© 2013 by Senco Brands, Inc.

# TABLE OF CONTENTS

<b>INTRODUCTION .....</b>	<b>3</b>
<b>SAFETY INSTRUCTIONS.....</b>	<b>3</b>
<b>INSPECTION .....</b>	<b>3</b>
<b>SAFETY WARNINGS .....</b>	<b>4-7</b>
ELECTRICAL .....	4
EXPLOSION OR FIRE .....	5
BURSTING .....	5
BREATHING .....	6
BURNS .....	6
FLYING OBJECTS .....	6
MOVING PARTS .....	7
NEGLIGENCE .....	7
AIR COMPRESSOR DAMAGE .....	7
CALIFORNIA PROPOSITION 65 WARNING.....	7
<b>COMPRESSOR FEATURES .....</b>	<b>8</b>
<b>PREPARATION .....</b>	<b>10</b>
INITIAL SET-UP .....	10
LOCATION .....	10
ELECTRICAL .....	10
<b>OPERATION .....</b>	<b>11</b>
PRE-START CHECKLIST .....	11
START-UP .....	11
SHUTDOWN .....	11
<b>MAINTENANCE .....</b>	<b>11</b>
<b>TROUBLESHOOTING .....</b>	<b>12-13</b>
<b>SPECIFICATIONS .....</b>	<b>14</b>
<b>WARRANTY .....</b>	<b>15</b>
<b>PARTS CHART.....</b>	<b>16</b>

## INTRODUCTION

Congratulations on the purchase of your new SENCO® Air Compressor! You can be assured your SENCO Air Compressor was constructed with the highest level of precision and accuracy. Each component has been rigorously tested by technicians to ensure the quality, endurance and performance of this air compressor.

This operator's manual was compiled for your benefit. By reading and following the simple safety, installation and operation, and maintenance steps described in this manual, you will receive years of troublefree operation from your new SENCO Air Compressor. The contents of this manual are based on the latest product information available at the time of publication. The manufacturer reserves the right to make changes in price, color, materials equipment, specifications or models at any time without notice.



### SAFETY ALERT!

A "**DANGER, WARNING or CAUTION**" safety warning will be surrounded by a "SAFETY ALERT BOX". This box is used to designate and emphasize Safety Warnings that must be followed when operating this air compressor. Accompanying the safety warnings are "Signal Words" which designate the degree or level of hazard seriousness. The "Signal Words" used in this manual are as follows:

**DANGER:** Indicates an imminently hazardous situation which, if not avoided, WILL result in death or serious injury.

**WARNING:** Indicates an imminently hazardous situation which, if not avoided, COULD result in death or serious injury.

**CAUTION:** Indicates an imminently hazardous situation which, if not avoided MAY result in minor or moderate injury or damage to the air compressor.



The symbols set to the left of this paragraph are "Safety Alert Symbols". These symbols are used to call attention to items or procedures that could be dangerous to you or other persons using this equipment.

**ALWAYS PROVIDE A COPY OF THIS MANUAL TO ANYONE USING THIS EQUIPMENT. READ ALL INSTRUCTIONS IN THIS MANUAL AND ANY INSTRUCTIONS SUPPLIED BY MANUFACTURERS OF SUPPORTING EQUIPMENT BEFORE OPERATING THIS AIR COMPRESSOR AND ESPECIALLY POINT OUT THE "SAFETY WARNINGS" TO PREVENT THE POSSIBILITY OF PERSONAL INJURY TO THE OPERATOR.**

## INSPECTION

Unbox the air compressor and write in the serial number in the space provided below. Inspect for signs of obvious or concealed freight damage. Be sure that all damaged parts are replaced and any mechanical problems are corrected prior to the operation of the air compressor.

**SERIAL NUMBER** \_\_\_\_\_

If you have Questions or Comments call SENCO's toll-free Action-line: **1-800-543-4596** or, e-mail: [toolprof@Senco.com](mailto:toolprof@Senco.com)

Please have the following information available for all service calls:


1. Model Number
2. Serial Number
3. Date and Place of Purchase

Senco, 4270 Ivy Pointe Blvd., Cincinnati, OH 45245



## SAFETY WARNINGS



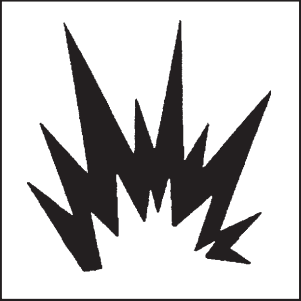
READ ALL SAFETY WARNINGS BEFORE USING AIR COMPRESSOR

HAZARD	POTENTIAL CONSEQUENCE	PREVENTION
<p data-bbox="240 342 480 464"><b>RISK OF ELECTRIC SHOCK OR ELECTROCUTION</b></p> 	<p data-bbox="581 304 1013 489">Serious injury or death could occur if the air compressor is not properly grounded. Your air compressor is powered by electricity and may cause electric shock or electrocution if not used properly.</p> <p data-bbox="581 520 1013 579">Electrical shock may occur from electrical cord.</p> <p data-bbox="581 947 1013 1005">Electrical shock may occur if air compressor is not operated properly.</p> <p data-bbox="581 1188 1013 1281">Serious injury or death may occur if electrical repairs are attempted by unqualified persons.</p>	<p data-bbox="1045 304 1455 455">Make sure the air compressor is plugged into a properly grounded outlet which provides correct voltage and adequate fuse protection.</p> <p data-bbox="1045 520 1455 613">Check power cord for signs of crushing, cutting or heat damage. Replace faulty cord before use.</p> <p data-bbox="1045 644 1455 825">Keep all connections dry and off the ground. Do not allow electrical cords to lay in water or in such a position where water could come in contact with them. Do not touch plug with wet hands.</p> <p data-bbox="1045 856 1455 915">Do not pull on the electrical cord to disconnect from the outlet.</p> <p data-bbox="1045 947 1455 1039">Never operate air compressor in wet conditions or outdoors when it is raining.</p> <p data-bbox="1045 1071 1455 1163">Never operate air compressor with safety guards/covers removed or damaged.</p> <p data-bbox="1045 1194 1455 1375">Any electrical wiring or repairs performed on this air compressor should be done by Authorized Service Personnel in accordance with National and Local electrical codes.</p> <p data-bbox="1045 1407 1455 1675">Before opening any electrical enclosure, always shut off the air compressor, relieve pressure and unplug the air compressor from the power source. Allow air compressor to cool down. Never assume the air compressor is safe to work on just because it is not operating. It could restart at any time!</p>



## SAFETY WARNINGS


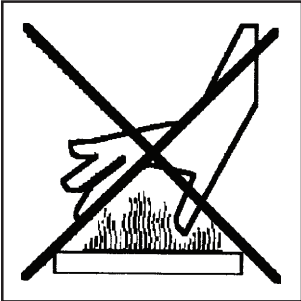
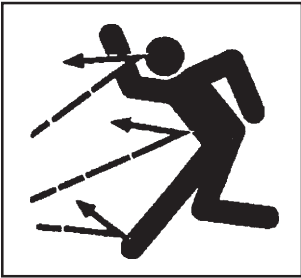
READ ALL SAFETY WARNINGS BEFORE USING AIR COMPRESSOR

HAZARD	POTENTIAL CONSEQUENCE	PREVENTION
<p style="text-align: center;"><b>RISK OF EXPLOSION OR FIRE</b></p> <div style="text-align: center;">    </div>	<p>Serious injury or death may occur from normal electrical sparks in motor and pressure switch.</p> <p>Serious injury may occur if any air compressor ventilation openings are restricted, causing the air compressor to overheat and start on fire.</p>	<p>Always operate air compressor in a well ventilated area free of flammable vapors, combustible dust, gases or other combustible materials.</p> <p>If spraying flammable material, locate the air compressor at least 20 feet away from the spray area. (An additional hose may be required.)</p> <p>Never place objects against or on top of air compressor. Operate air compressor at least 12 inches away from any wall or obstruction that would restrict proper ventilation.</p>
<p style="text-align: center;"><b>RISK OF BURSTING</b></p> <div style="text-align: center;">  </div>	<p>Serious injury or death may occur from an air tank explosion if air tanks are not properly maintained.</p> <p>Serious injury may occur from an air compressor malfunction or exploding accessories if incorrect system components, attachments or accessories are used.</p>	<p>Drain air tank daily or after each use to prevent moisture buildup in the air tank.</p> <p>If air tank develops a leak, replace the air tank immediately. Never repair, weld or make modifications to the air tank or its attachments.</p> <p>Use only genuine SENCO® repair parts for your air compressor.</p> <p>Never make adjustments to the factory set pressures.</p> <p>Never exceed manufacturers maximum allowable pressure rating of attachments.</p> <p>Because of extreme heat, do not use plastic pipe or lead tin soldered joints for a discharge line.</p> <p>Never use air compressor to inflate small, low pressure objects such as toys.</p>



## SAFETY WARNINGS


READ ALL SAFETY WARNINGS BEFORE USING AIR COMPRESSOR

HAZARD	POTENTIAL CONSEQUENCE	PREVENTION
<p style="text-align: center;"><b>RISK TO BREATHING</b></p> 	<p>Serious injury or death could occur from inhaling compressed air. The air stream may contain carbon monoxide, toxic vapors or solid particles.</p> <p>Sprayed materials such as paint, paint solvents, paint remover, insecticides, weed killers, etc. contain harmful vapors and poisons.</p>	<p>Never inhale air from the air compressor either directly or from a breathing device connected to the air compressor.</p> <p>Operate air compressor only in a well ventilated area. Follow all safety instructions provided with the materials you are spraying. Use of a respirator may be required when working with some materials.</p>
<p style="text-align: center;"><b>RISK OF BURNS</b></p> 	<p>Serious injury could occur from touching exposed metal parts. These areas can remain hot for some time after the air compressor is shutdown.</p>	<p>Never allow any part of your body or other materials to make contact with any exposed metal parts on the air compressor.</p>
<p style="text-align: center;"><b>RISK OF FLYING OBJECTS</b></p> 	<p>Soft tissue damage can occur from the compressed air stream.</p> <p>Serious injury can occur from loose debris being propelled at a high speed from the compressed air stream.</p>	<p>Always wear OSHA required “Z87” safety glasses to shield the eyes from flying debris.</p> <p>Never point the air stream at any part of your body, anyone else or animals.</p> <p>Never leave pressurized air compressor unattended. Shut off air compressor and relieve pressure before attempting maintenance, attaching tools or accessories.</p> <p>Always maintain a safe distance from people and animals while operating the air compressor.</p> <p>Do not move the air compressor while air tank is under pressure. Do not attempt to move the air compressor by pulling on the hose.</p>



## SAFETY WARNINGS

READ ALL SAFETY WARNINGS BEFORE USING AIR COMPRESSOR

HAZARD	POTENTIAL CONSEQUENCE	PREVENTION
<b>RISK FROM MOVING PARTS</b>  	<p>Risk of bodily injury from moving parts. This air compressor cycles automatically when the pressure switch is in the “On/Auto” position.</p>          <p>Risk of injury from negligent use.</p>	<p>Always turn off air compressor. Bleed pressure from the air hose and unplug from electrical outlet before performing maintenance. All repairs to the air compressor should be made by an Authorized Service person. Never assume the air compressor is safe to work on just because it is not operating. It could restart at any time!</p>  <p>Do not operate without protective covers/guards. Replace damaged covers/guards before using the air compressor.</p>
<b>RISK FROM NEGLIGENCE</b>		<p>Never allow children or adolescents to operate this air compressor!</p>  <p>Stay alert-watch what you are doing. Do not operate the air compressor when fatigued or under the influence of alcohol or drugs.</p>  <p>Know how to stop the air compressor. Be thoroughly familiar with controls.</p>
<b>RISK OF AIR COMPRESSOR DAMAGE</b>	<p>Risk of major repair.</p>	<p>Do not operate air compressor without an air filter.</p> <p>Do not operate air compressor in a corrosive environment.</p> <p>Do not incline the air compressor transversely or longitudinally more than 10°.</p> <p>Always operate the air compressor in a stable, secure position to prevent air compressor from falling. Follow all maintenance instructions listed in this manual.</p>

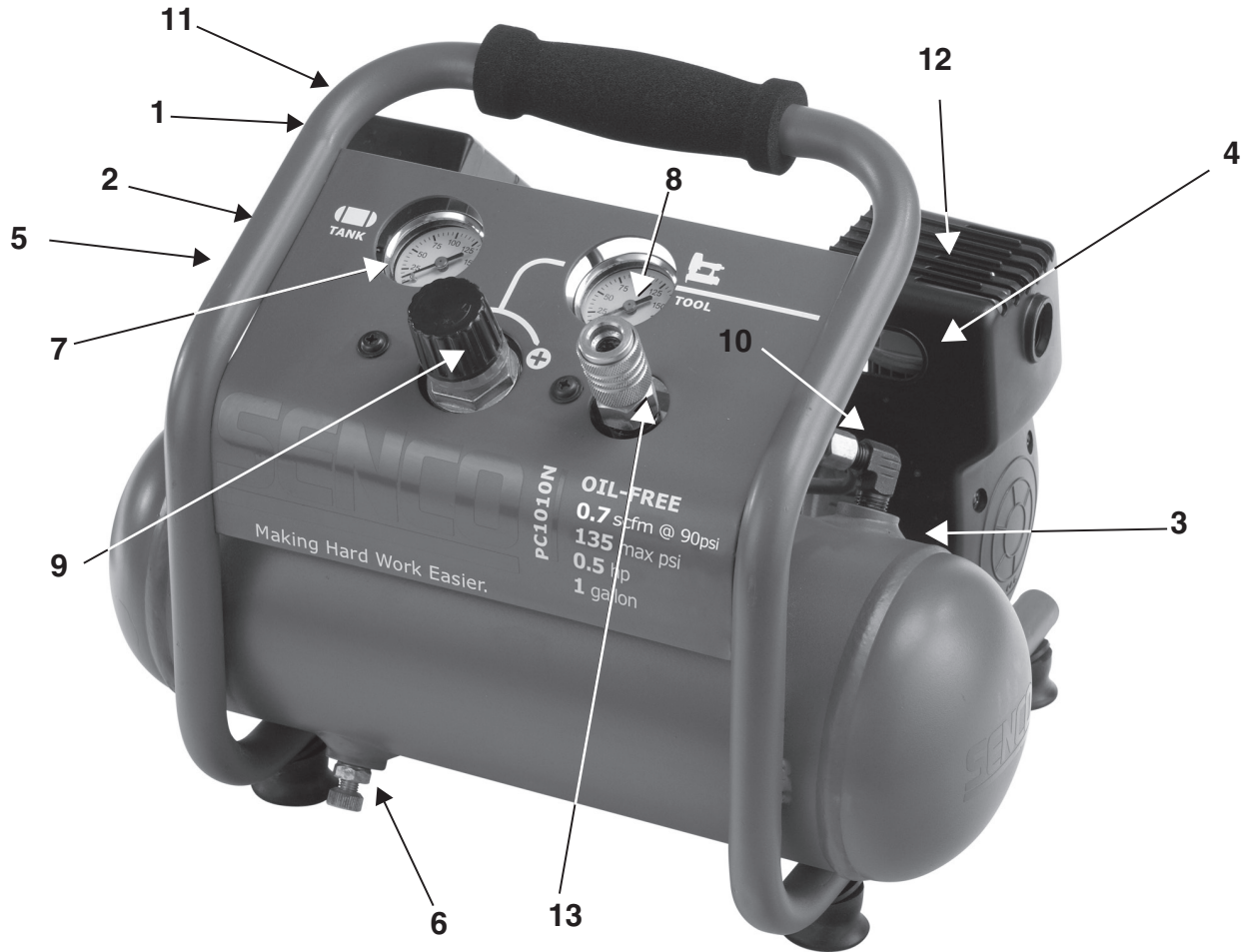
**! SAVE THESE INSTRUCTIONS !**



### WARNING

This product contains chemicals, including lead, known to the State of California to cause cancer, and birth defects or other reproductive harm.  
***Wash hands after handling.***

## COMPRESSOR FEATURES

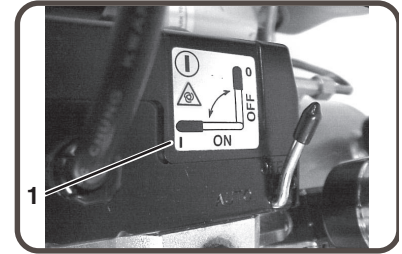


- 1 Motor/Pressure Switch
- 2 Thermal Overload / Reset
- 3 Air Intake Filter
- 4 Air Compressor Pump
- 5 Safety Relief Valve
- 6 Air tank drain valve
- 7 Tank Pressure Gauge
- 8 Outlet Pressure Gauge
- 9 Pressure Regulator
- 10 Discharge Line
- 11 115 Volt Electric Power Cord
- 12 Ventilation Openings / Protective Shroud
- 13 Quick Disconnect



## COMPRESSOR FEATURES

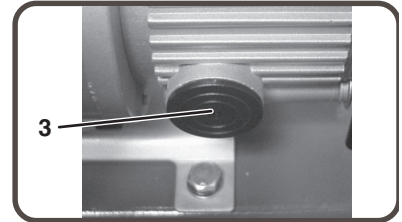
**1) MOTOR/PRESSURE SWITCH:** This switch is used to start or stop the air compressor. Moving the switch to the (On) position will provide automatic power to the pressure switch which will allow the motor to start when the air tank pressure is below the factory set cut-in pressure. When in the (On) position, the pressure switch stops the motor when the air tank pressure reaches the factory set cut-out pressure. For safety purposes, this switch also has a pressure release valve located on the side of the switch designed to automatically release compressed air from the air compressor pump head and its discharge line when the air compressor reaches cut-out pressure or is shut off. This allows the motor to restart freely. Moving the switch to the (Off) position will remove power from the motor and stop the air compressor.



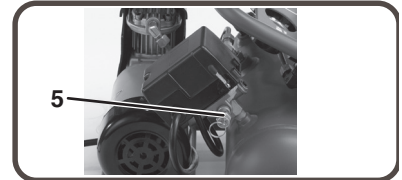
**2) MOTOR OVERLOAD:** Motor has a protective breaker located on the pump. Excessive amperage draw will result in the breaker tripping to protect the motor and operator. Reset the breaker by pushing the black plastic stem back into the housing. Reset switch if it is tripped.



**3) AIR INTAKE FILTER:** This filter is designed to clean air coming into the pump. To ensure the pump continually receives a clean, cool, dry air supply this filter must always be clean and ventilation opening free from obstructions. The filter can be removed for cleaning by using warm, soapy water. Rinse the filter and air dry.



**4) AIR COMPRESSOR PUMP:** To compress air, the piston moves up and down in the cylinder. On the downstroke, air is drawn in through the air intake valve while the exhaust valve remains closed. On the upstroke, air is compressed, the intake valve closes and compressed air is forced out through the exhaust valve, into the discharge line, through the check valve and into the air tank.



**5) SAFETY RELIEF VALVE:** This valve is designed to prevent system failures by relieving pressure from the system when the compressed air reaches a predetermined level. The valve is preset by the manufacturer and must not be modified in any way. To verify the valve is working properly, pull on the ring. Air pressure should escape. When the ring is released, it will reset.



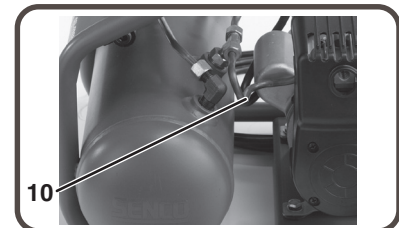
**6) AIR TANK DRAIN VALVE:** The drain valve is used to remove moisture from the air tank(s) after the air compressor is shut off. **NEVER attempt to open the drain valve when more than 10 PSI of air pressure is in the air tank!** To open the drain valve, turn the knob counterclockwise. Tilt tank to ensure that all condensation drains through valve.

**7) AIR TANK PRESSURE GAUGE:** The air tank pressure gauge indicates the reserve air pressure in the air tank (s).



**8) OUTLET PRESSURE GAUGE:** The outlet pressure gauge indicates the air pressure available at the outlet side of the regulator. This pressure is controlled by the regulator and is always less or equal to the air tank pressure.

**9) PRESSURE REGULATOR:** The air pressure coming from the air tank is controlled by the regulator knob. Turn the pressure regulation knob clockwise to increase discharge pressure, and counterclockwise to decrease discharge pressure. Follow tool operating instructions for recommended pressure range.



**10) DISCHARGE LINE:** Please note that the discharge line is very hot.

## PREPARATION

### INITIAL SET-UP:

1. Read safety warnings before setting-up air compressor.

### LOCATION:

#### **CAUTION**

**In order to avoid damaging the air compressor, do not incline the air compressor transversely or longitudinally more than 10°.**

1. Place air compressor at least 12 inches away from obstacles that may prevent proper ventilation. Do not place air compressor in an area:
  - where there is evidence of oil or gas leaks.
  - where flammable gas vapors or materials may be present.



#### **WARNING**

**Serious injury or death may occur if electrical sparks from motor and pressure switch come in contact with flammable vapors, combustible dust, gases or other combustible materials. When using the air compressor for spray painting, place the air compressor as far away from the work area as possible, using extra air hoses instead of extension cords.**

- where air temperatures fall below 32°F or exceed 104°F.
- where extremely dirty air or water could be drawn into the air compressor.

### ELECTRICAL:



#### **DANGER**

**Improper connection of the equipment-grounding conductor can result in a risk of shock or electrocution. Check with a qualified electrician or service personnel if you are in doubt as to whether the outlet is properly grounded. Do not use any type of adapter with this product. If repair or replacement of the cord or plug is necessary, do not connect the grounding wire to either flat blade terminal. The wire with insulation having an outer surface that is green with or without yellow stripes is the grounding wire.**



#### **WARNING**

**This product must be grounded. If there should be a malfunction or breakdown, grounding provides a path of least resistance for electric current to reduce the risk of electric shock. This product is equipped with a cord having an equipment-grounding conductor and a grounding type plug. The plug must be plugged into an appropriate outlet that is properly installed and grounded in accordance with all local codes and ordinances.**

1. Senco® DOES NOT RECOMMEND THE USE OF EXTENSION CORDS as this can create power loss and overheating of the motor. Use of an additional air hose is recommended rather than an extension cord. If use of an extension cord is unavoidable, it should be plugged into a GFCI found in circuit boxes or protected receptacles. When using an extension cord, observe the following:

<u>Cable Length</u>	<u>Wire Gauge</u>
Up to 25 feet	12 AWG
Up to 100 feet	10 AWG
Up to 150 feet	8 AWG
Up to 250 feet	6 AWG

Use only 3-blade extension cords that have 3-blade grounding-type plugs and 3-slot cord connectors that will accept the plug from the product. Use only extension cords having an electrical rating not less than the rating of the product. Do not use damaged extension cords. Examine extension cord before using and replace if damaged. Do not abuse extension cord and do not yank on any cord to disconnect. Keep cord away from heat and sharp edges. Always shut off the air compressor switch before removing the plug from the receptacle.

## OPERATION

### PRE-START CHECKLIST:

1. Remove any moisture in the air compressor tank. Remove excessive pressure by pulling on the safety relief valve ring or with an air tool, then open the air tank drain valve in the bottom of the air tank. Close tightly when drained.



**WARNING: Risk of bodily injury. NEVER attempt to open the drain valve when more than 10 PSI of air pressure is in the air tank!**

2. Make sure the air compressor Motor Switch is in the “OFF” position.
3. Make sure all safety valves are working correctly.
4. Make sure all guards and covers are in place and securely mounted.

### START-UP:

1. Ensure the lever on the pressure switch box is in the “OFF” position.
2. Plug the power cord into the grounded outlet.
3. Move the motor switch to the “ON” position.
4. This will allow the air compressor to “START” building up pressure in the air tanks and “STOP” when correct pressure is achieved. When pressure drops with usage, the air compressor will “START” building up pressure again.
5. Set pressure by adjusting the pressure regulator knob counterclockwise for less pressure and clockwise for more pressure.
6. If you notice any unusual noise or vibration, stop the air compressor and refer to “Troubleshooting”.

### SHUTDOWN:

1. To stop the air compressor, move the lever on the motor switch to the "OFF" position. NEVER stop the air compressor by unplugging it from the power source. This could result in risk of electrocution.
2. Drain air from the air tank by releasing air with an attached air tool or by pulling on the safety relief valve ring.
3. Once pressure in the air tanks register under 10 PSI, open the drain valve under each air tank to drain any moisture.
4. Allow the air compressor to cool down.
5. Wipe air compressor clean and store in a safe, non-freezing area.

## MAINTENANCE

Read the instruction manual before performing maintenance. The following procedures must be performed when stopping the air compressor for maintenance or service.

1. Turn off the air compressor




**WARNING: Never assume the air compressor is safe to work on just because it is not operating. It could restart at any time!**

2. Disconnect cord from main power supply.
3. Open all drains.
4. Wait for the air compressor to cool before starting service.

### MAINTENANCE CHART

PROCEDURE	DAILY	WEEKLY	MONTHLY
Drain condensation in air tank(s)	X		
Check for unusual noise/vibration	X		
Check for air leaks	X		
Clean exterior of compressor		X	
Check safety relief valve			X

## TROUBLESHOOTING

### Symptom 1. Motor will not run or restart.

Power cord not plugged in.	Plug cord into grounded outlet.
Motor/Pressure switch in "OFF" position.	Move switch to "ON" position.
Fuse blown or circuit breaker has tripped.	Replace fuse or reset circuit breaker.
	Check for proper fuse amperage.
	Check for low voltage conditions.
	Disconnect any other electrical appliances from circuit or operate air compressor on its own branch circuit.
Wrong gauge wire or length of extension cord.	Check chart on page #10 for proper gauge wire and cord length.
Air tank pressure exceeds motor/pressure switch "cut-in" pressure.	Motor will start automatically when air tank pressure drops below "cut-in" pressure of motor/pressure switch.
Defective motor, motor capacitor, motor/pressure switch, or check valve.	Contact Senco Customer Service.

### Symptom 2. When in the "ON" position, motor runs continuously.

PROBABLE CAUSE	REMEDY
Motor/Pressure switch does not shut off motor when air compressor reaches "cut-out" pressure and safety relief valve activates.	Move the motor/pressure switch to the "Off" position. If the motor doesn't shutoff, unplug the air compressor. If the electrical contacts are welded together, replace the pressure switch.
Air compressor is incorrectly sized.	Limit the air pressure to the capacity of the air compressor. Either use a smaller tool or a larger air compressor.

### Symptom 3. Air continues to leak at motor/pressure switch release valve after motor stops.

PROBABLE CAUSE	REMEDY
The check valve is stuck open.	Remove, clean or replace.

### Symptom 4. Air continues to leak at motor/pressure switch release valve after motor is running.

PROBABLE CAUSE	REMEDY
Defective motor/pressure switch.	Replace

## TROUBLESHOOTING

### Symptom 5. Air leaks from safety relief valve.

**PROBABLE CAUSE**

Possible defective safety relief valve.

Excessive air tank pressure.

**REMEDY**

Operate safety relief valve manually by pulling on ring. If it still leaks, it should be replaced.

Defective motor/pressure switch. Replace.

### Symptom 6. Air leaks at fittings.

**PROBABLE CAUSE**

Fittings are not tight enough.

**REMEDY**

Tighten fittings where air can be heard escaping. Check fittings with soapy water solution. **Do not overtighten.**

### Symptom 7. Air leak in air tank.

**PROBABLE CAUSE**

Defective or rusted air tank.

**REMEDY**

Air tank must be replaced. **Do not attempt to repair air tank!**

### Symptom 8. Air blowing from inlet filter.

**PROBABLE CAUSE**

Damaged inlet (reed) valve.

**REMEDY**

Contact SENCO Customer Service 888-222-8144.

### Symptom 9. Insufficient pressure at air tool or accessory.

**PROBABLE CAUSE**

Pressure regulator knob not turned to high enough pressure or defective pressure regulator.

Restricted air intake filter.

Air leaks.

Air compressor is not large enough for air requirement.

**REMEDY**

Adjust pressure regulator knob to proper setting or replace.

Clean.

Check for leaks and repair.

Check the accessory air requirement. If it is higher than the CFM or pressure supply of the air compressor, you need a larger air compressor.

### Symptom 10. Air compressor not making enough air.

**PROBABLE CAUSE**

Restricted air intake filter.

Defective (reed) valve.

**REMEDY**

Clean.

Drain air tank and measure pump up time. Compare to specifications. If lower, remove pump head and inspect valve plate, clean or replace.

### Symptom 11. Moisture in discharge air.

**PROBABLE CAUSE**

Condensation in air tank caused by high level of atmospheric humidity or air compressor is not run long enough.

**REMEDY**

Drain air tank after every use. Drain air tank more often in humid weather and use an air line filter.

## SPECIFICATIONS

Model #	PC 1010N	
<b>Motor</b>		
Horsepower	1 HP (peak)	1/2 HP (Running)
Voltage	115	
Amperage	4	
Hz.	60	
Phase	Single	
RPM	3400	
<b>Compressor Pump</b>		
Number of Cylinders	1	
Compression Stage	1	
Crankcase	Aluminum	
Bearings	Ball	
Cylinder	Aluminum	
Valves	Reed-Single	
Head	Aluminum	
Filter	Insert	
<b>Motor/Pressure Switch Setting</b>		
Cut-out	135 PSI	
Cut-in	105 PSI	
Controls	Start / Stop	
<b>Air tank</b>		
Capacity	1 gallon	
<b>Performance</b>		
CFM Air Displacement	1.4	
CFM @ 40 PSI	1.0	
CFM @ 90 PSI	0.7	
CFM @ 100 PSI	0.6	
Maximum Pressure	135 PSIG	
Pump-up Time: 0 -135 PSI	102 sec.	
Recovery Time: 105 -135 PSI	27 seconds	
<b>Weight</b>		
Net	21 lbs.	
<b>Dimensions</b>		
Basic LxWxH	14"x 13" x10"	

# Limited Warranty

## SENCO® Pneumatic, DuraSpin®, Cordless Tools & Compressors

Senco Brands, Inc. ("SENCO") designs and constructs its products using the highest standards of material and workmanship. SENCO warrants to the original retail purchaser that the following products will be free from defects in material or workmanship for the warranty period specified below:

SENCO® XP Series-Red Cap Five years	SENCO PRO Series One year	SENCO Compressors One year	
SENCO® XP Series-Black Cap Two Years	SENCO DuraSpin® One year	SENCO Cordless Two years	Hand Nailers One Year
SENCO FP502 Two Years	SENCO Reconditioned Products One Year	Gas Cordless Two Years	

During the warranty period (which begins on the purchase date), SENCO will repair or replace, at SENCO's option and expense, any product or part that is defective in materials or workmanship after examination by a SENCO Authorized Warranty Service Center, subject to the exceptions, exclusions and limitations described below. Any replacement product or part will carry a warranty for the balance of the warranty period applicable to the replaced product or part. A DATED SALES RECEIPT OR PROOF OF PURCHASE FROM THE ORIGINAL RETAIL PURCHASER IS REQUIRED TO MAKE A WARRANTY CLAIM. Product registration can be accomplished through on-line Product Registration at [www.senco.com](http://www.senco.com) or by completing and returning the postage paid product registration form included with your Operator's manual/parts chart information, found inside the product carton. To make a warranty claim, you must return the product, with proper receipt/proof of purchase and return transportation charges prepaid, to a SENCO Authorized Warranty Service Center. A list of SENCO Authorized Warranty Service Centers can be found at [www.senco.com](http://www.senco.com) or by calling 1-800-543-4596 toll free. SENCO will perform its obligations under this warranty, within a reasonable time after approval of the warranty claim.

### Wheelbarrow Compressors:

- Subject to the exceptions, exclusions and limitations described below, SENCO warrants that the compressor pump will be free from defects in materials and workmanship for two years after the purchase date.
- Defective parts of the compressor pump not subject to normal wear and tear will be repaired or replaced, at SENCO's option, during the two year warranty period. If SENCO determines that repair or replacement is not feasible, SENCO will refund the purchase price less reasonable depreciation based on actual use.

### SENCO Cordless:

- Subject to the exceptions, exclusions and limitations described below, SENCO warrants that the SENCO Cordless tool will be free from defects in materials and workmanship for two years after the purchase date.
- Subject to the exceptions, exclusions and limitations described below, SENCO warrants that the batteries and chargers used with SENCO Cordless tools will be free from defects in material and workmanship for one year after the purchase date.

### WARRANTY EXCLUSIONS

The following warranty exclusions apply:

- Normal wear parts are not covered under this warranty. Normal wear parts include, for example, isolators, drive belts, air filters, rubber o-rings, seals, driver blades, piston stops, piston/driver assembly, and fuel stems.
- This warranty does not cover parts damaged due to normal wear, misapplication, misuse, accidents, operation at other than recommended speeds or voltage (electric units only), improper storage, or damage resulting during shipping.
- Products used in production/industrial applications as defined by SENCO are excluded from this warranty.
- Labor charges or loss or damage resulting from improper operation, maintenance or repairs are not covered by this warranty.
- SENCO does not warrant the Wheelbarrow Compressor Engine/Motor, but the Compressor Engine/Motor may be covered under a warranty offered by its manufacturer.

### GENERAL WARRANTY CONDITIONS

This warranty will be honored, only if:

- Clean, dry, regulated compressed air has been used, at air pressure not exceeding the maximum indicated on the tool casting;
- No evidence of abuse, abnormal conditions, accident, neglect, misuse or improper modifications or storage of the product; and
- No Deviation from operating instructions, specifications, and maintenance schedules exists (read Operator Manual for use, specifications, and maintenance instructions).

THIS WARRANTY IS THE ONLY WARRANTY ON THE PRODUCT, AND SENCO DISCLAIMS ALL OTHER WARRANTIES. ANY IMPLIED WARRANTIES WILL BE LIMITED IN DURATION TO THE APPLICABLE WARRANTY PERIOD SPECIFIED ABOVE. SOME STATES DO NOT ALLOW LIMITATIONS ON HOW LONG AN IMPLIED WARRANTY LASTS, SO THE ABOVE LIMITATION MAY NOT APPLY TO YOU. YOUR REMEDIES ARE SOLELY AND EXCLUSIVELY AS STATED ABOVE. SENCO SHALL IN NO EVENT BE LIABLE FOR INCIDENTAL, CONSEQUENTIAL, INDIRECT, OR SPECIAL DAMAGES. SOME STATES DO NOT ALLOW THE EXCLUSION OR LIMITATION OF INCIDENTAL OR CONSEQUENTIAL DAMAGES, SO THE ABOVE LIMITATION OR EXCLUSION MAY NOT APPLY TO YOU. IN NO EVENT, WHETHER AS A RESULT OF A BREACH OF CONTRACT, WARRANTY, TORT (INCLUDING NEGLIGENCE) OR OTHERWISE, SHALL SENCO'S LIABILITY EXCEED THE PRICE OF THE PRODUCT WHICH HAS GIVEN RISE TO THE CLAIM OR LIABILITY. ANY LIABILITY CONNECTED WITH THE USE OF THIS PRODUCT SHALL TERMINATE UPON THE EXPIRATION OF THE WARRANTY PERIOD SPECIFIED ABOVE. NO EMPLOYEE OR REPRESENTATIVE OF SENCO OR ANY DISTRIBUTOR OR DEALER IS AUTHORIZED TO MAKE ANY CHANGE OR MODIFICATION TO THIS WARRANTY.

This warranty gives you specific legal rights, and you may also have other rights which vary from state to state.

### REPLACEMENT OF TOOL DUE TO NATURAL DISASTER

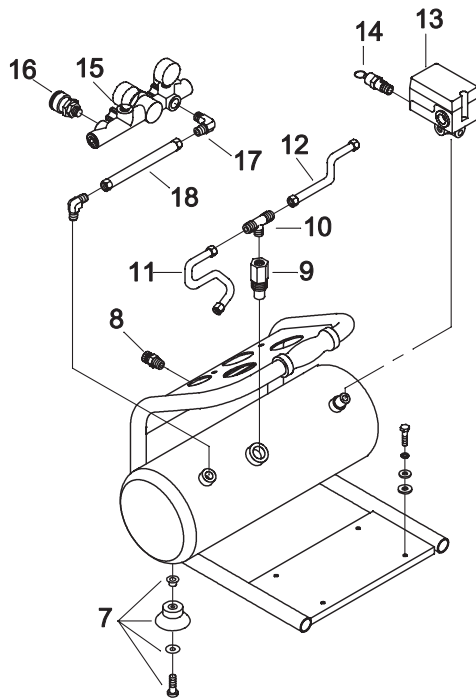
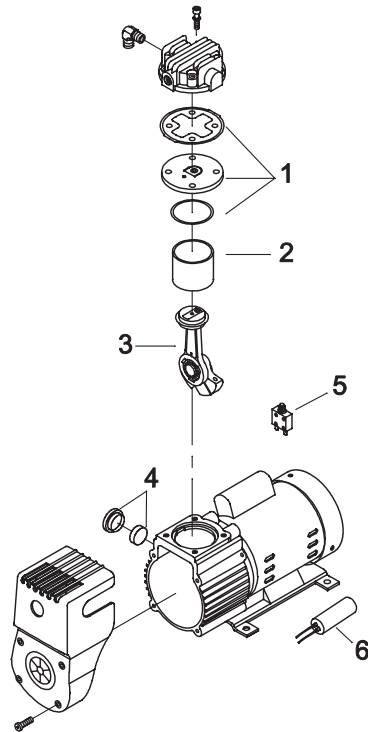
SENCO will replace any tool destroyed by an Act of God such as flood, earthquake, hurricane or other disaster resulting only from the forces of nature. Such a claim will be honored provided that such original retail purchaser had previously submitted a completed warranty registration card for the tool, and then submits proof of ownership and an acceptable statement describing such Act of God documented by an insurance carrier, police department, or other official governmental source. To obtain instructions for filing a claim call 1-800-543-4596.

### CUSTOMER SATISFACTION

One hundred percent customer satisfaction is our #1 goal. If for any reason the product does not perform to the original purchaser's satisfaction, it can be returned to the place of purchase **within thirty days** with dated sales receipt for a full refund of the purchase price.

## 1/2 HP Electric Air Compressor

### Parts Reference Guide



Ref. No.	Part No.	Description
1	3B11DC02A	Exhaust Valve Assembly
2	3201068	Cylinder
3	3B34DC02	Rod Assembly
4	2140026	Air Filter Set
5	2E2505A	Circuit Breaker
6	2E27010F2525	Running Capacitor
7	3433011A	Rubber Pad Set
8	2405012	Drain Valve
9	2414033A	Check Valve
10	2N0902H01T02H4	Unloading 3-way Pipe
11	3B202120F	Unloading Tube A
12	3B202190N	Unloading Tube B
13	3Y30WS002	Pressure Switch Set
14	2406016A	Pressure Relief Valve
15	3Y30WS003	Regulator Set
16	PC0901	Quick Coupler
17	2N0602T02HS	Exhaust Elbow
18	3B202150N	Unloading Tube C





**PC1010N**

# Compresseur d'air électrique

## Mode d'Emploi



# SENCO®

Senco Brands, Inc.  
8450 Broadwell Road  
Cincinnati, OH 45244  
1-800-543-4596  
www.senco.com



Les consignes pour l'utilisation en toute sécurité de cet outil se trouvent dans ce manuel.

Révision 5/31/13

© 2013 by Senco Brands, Inc.

## TABLE DES MATIÈRES

<b>INTRODUCTION</b> .....	<b>3</b>
INSTRUCTION DE SÉCURITÉ .....	3
INSPECTION .....	3
<b>MISES EN GARDE DE SÉCURITÉ</b> .....	<b>4-7</b>
ÉLECTRICITÉ.....	4
EXPLOSION OU INCENDIE .....	5
ÉCLATEMENT.....	5
INHALATION.....	6
BRÛLURES .....	6
OBJETS PROJÉTÉS .....	6
PIÈCES EN MOUVEMENT .....	7
NÉGLIGENCE .....	7
DOMMAGES AU COMPRESSEUR.....	7
AVIS SUR LA PROPOSITION CALIFORNIENNE 65... ..	7
<b>CARACTÉRISTIQUES DU COMPRESSEUR</b> .....	<b>8</b>
<b>PRÉPARATION</b> .....	<b>10</b>
MISE EN ŒUVRE INITIALE .....	10
EMPLACEMENT .....	10
ALIMENTATION ÉLECTRIQUE .....	10
<b>FONCTIONNEMENT</b> .....	<b>11</b>
LISTE DE VÉRIFICATIONS PRÉLIMINAIRES.....	11
DÉMARRAGE .....	11
COUPURE .....	11
<b>ENTRETIEN</b> .....	<b>11</b>
<b>DÉPANNAGE</b> .....	<b>12-13</b>
<b>SPÉCIFICATIONS</b> .....	<b>14</b>
<b>GARANTIE</b> .....	<b>15</b>
<b>TABLEAU DE PIÈCES</b> .....	<b>16</b>

## INTRODUCTION

Félicitations pour votre achat de notre nouveau compresseur d'air SENCO® ! Vous pouvez être assuré que votre compresseur d'air SENCO a été construit avec le plus haut niveau de précision et d'exactitude. Chaque composant a été rigoureusement testé par des techniciens pour constituer la qualité, l'endurance et la performance de ce compresseur d'air.

Ce manuel d'utilisation a été composé pour vous servir. En lisant puis en appliquant les étapes simples décrites dans ce manuel de sécurisation, installation et fonctionnement, et entretien, vous aurez des années de service sans souci pour votre nouveau compresseur à air SENCO. Le contenu de ce manuel est basé sur les dernières informations produites disponibles au moment de sa publication. Le constructeur se réserve le droit d'opérer des changements sur prix, couleur, matériel et équipement, spécifications ou modèles, à tout moment et sans préavis.



### ALERTES POUR LA SÉCURITÉ !

Une signalisation pour DANGER, AVERTISSEMENT ou ATTENTION pour la sécurité sera entourée d'un encadrement d'alerte. Ce cadre est utilisé pour montrer et renforcer les mesures de sécurité qui doivent être respectées pour faire fonctionner ce compresseur d'air. En accompagnement des mises en garde de sécurité il y a les mots clés d'alerte qui donnent le degré de danger du risque. Les mots utilisés dans ce manuel sont :

**DANGER:** Indique une situation très dangereuse, qui si les mesures ne sont pas prises ENTRAÎNERA une blessure sérieuse voire mortelle.

**AVERTISSEMENT :** Indique une situation potentiellement dangereuse, qui si les mesures ne sont pas prises ENTRAÎNERAIT une blessure sérieuse voire mortelle.

**ATTENTION :** Indique une situation potentiellement dangereuse, qui si les mesures ne sont pas prises POURRAIT ENTRAÎNER une blessure légère ou endommager le compresseur d'air.



Les symboles placés à la gauche de ce paragraphe sont les symboles d'alerte de sécurité, ils sont utilisés pour attirer l'attention sur des articles ou procédures qui pourraient présenter un danger pour vous ou d'autres personnes utilisant cet équipement.

**FOURNISSEZ TOUJOURS UNE COPIE DE CE MANUEL À TOUTE PERSONNE QUI VA UTILISER CET ÉQUIPEMENT. IL FAUT LIRE TOUTES LES INSTRUCTIONS DE CE MANUEL PLUS TOUTES LES INSTRUCTIONS FOURNIES PAR LES FABRICANTS DES ÉQUIPEMENTS ANNEXES AVANT DE FAIRE FONCTIONNER LE COMPRESSEUR D'AIR, ET PRÊTER UNE ATTENTION TOUTE PARTICULIÈRE AUX MISES EN GARDE DE SÉCURITÉ POUR ÉVITER LA POSSIBILITÉ DE BLESSURES CORPORELLES POUR L'OPÉRATEUR.**

## INSPECTION

Déballez le compresseur d'air et écrivez son numéro de série dans l'emplacement fourni plus bas. Inspectez pour chercher des signes d'éventuels dommages évidents ou cachés venant du transport. Assurez-vous que toutes pièces endommagées soient remplacées et que tout problème mécanique soit résolu avant de mettre le compresseur d'air en marche.

NUMÉRO DE SÉRIE \_\_\_\_\_

Si vous avez des questions ou commentaires à transmettre, contactez SENCO par appel sans frais au 1-800-222-8144 ou en envoyant un message électronique à [toolproof@Senco.com](mailto:toolproof@Senco.com)

Veillez avoir sous la main ces informations en cas d'appel pour n'importe quel service :


1. Référence de modèle
2. Numéro de série
3. Date et lieu d'achat

Senco, 4270 Ivy Pointe Blvd., Cincinnati, OH 45245, USA

## MISES EN GARDE DE SÉCURITÉ



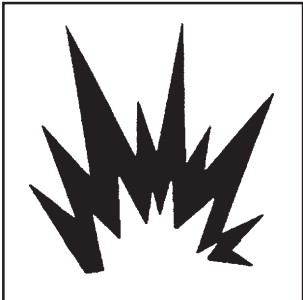


LISEZ TOUTES LES MISES EN GARDE DE SÉCURITÉ AVANT D'UTILISER LE COMPRESSEUR D'AIR

DANGER	CONSEQUENCES POTENTIELLES	PREVENTION
<p style="text-align: center;">RISQUE DE COMMOTION ÉLECTRIQUE OU D'ÉLECTROCUTION</p> <div style="text-align: center;">  </div>	<p>Des blessures graves ou mortelles peuvent arriver si le compresseur n'est pas mis à la terre de façon convenable. Votre compresseur d'air est alimenté de l'électricité et cela peut provoquer une commotion électrique ou une électrocution si l'utilisation n'est pas correcte. Une commotion électrique peut venir du cordon secteur.</p> <p>Une commotion électrique peut arriver si le compresseur n'est pas utilisé correctement.</p> <p>Des blessures graves ou mortelles peuvent arriver si des réparations électriques sont tentées par des personnes non qualifiées.</p>	<p>Assurez-vous que compresseur d'air est bien branché sur une prise secteur convenablement reliée à la terre, qui fournit la tension correcte, et qui est protégée en amont par fusible ou disjoncteur.</p> <p>Vérifiez le cordon secteur pour y déceler des signes d'écrasement, de coupure ou de brûlure. Remplacez le cordon s'il est abîmé avant toute nouvelle utilisation.</p> <p>Gardez toutes les connexions au sec et ne reposant pas par terre. Ne laissez pas le cordon secteur traîner dans l'eau ou dans une position telle que de l'eau puisse venir à son contact. Ne touchez pas la fiche secteur avec des mains mouillées.</p> <p>Ne tirez pas sur le cordon secteur pour débrancher la fiche de la prise murale.</p> <p>Ne faites jamais fonctionner le compresseur d'air dans des conditions d'humidité ou à l'extérieur quand il pleut.</p> <p>Ne faites jamais fonctionner le compresseur d'air avec ses couvercles et protections de sécurité enlevés.</p> <p>Tout câblage ou dépannage électrique effectué sur le compresseur d'air doit être confié à un personnel de dépannage agréé, en conformité avec les réglementations électriques locales et nationales.</p> <p>Avant d'ouvrir toute partie électrique fermée, arrêtez toujours le compresseur d'air, faites chuter la pression et débranchez l'appareil de sa prise secteur. Laissez le compresseur d'air refroidir. Ne présumez jamais que vous pouvez intervenir en sécurité sur le compresseur d'air juste parce qu'il ne tourne pas. Il pourrait redémarrer inopinément!</p>



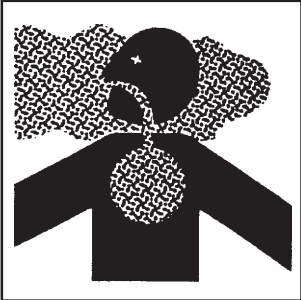


## MISES EN GARDE DE SÉCURITÉ

LISEZ TOUTES LES MISES EN GARDE DE SÉCURITÉ AVANT D'UTILISER LE COMPRESSEUR D'AIR

DANGER	CONSÉQUENCES POTENTIELLES	PRÉVENTION
<p data-bbox="199 268 488 327">RISQUE D'EXPLOSION OU D'INCENDIE</p>  	<p data-bbox="557 268 967 390">Des blessures sérieuses voire mortelles peuvent arriver à partir d'étincelles électriques normales au niveau du moteur ou du manostat.</p> <p data-bbox="557 743 992 898">Des blessures sérieuses peuvent arriver si des ouvertures de ventilation du compresseur d'air sont obstruées, provoquant la surchauffe de l'appareil et l'amenant à prendre feu.</p>	<p data-bbox="1011 268 1458 449">Faites toujours fonctionner le compresseur d'air dans une zone bien ventilée exempte de vapeurs inflammables, de poussière combustible, de gaz ou autres matières combustibles.</p> <p data-bbox="1011 487 1446 672">Si vous pulvérisez sous pression de la matière inflammable, placez le compresseur d'air au moins 6 mètres plus loin que la zone traitée (vous pouvez avoir besoin d'un flexible auxiliaire).</p> <p data-bbox="1011 772 1446 928">Ne placez jamais de objets contre ou sur le compresseur d'air. Faites-le fonctionner à au moins 30 cm à l'écart de tout mur ou obstacle qui pourrait empêcher une ventilation convenable.</p>
<p data-bbox="245 1031 448 1089">RISQUE D'ÉCLATEMENT</p> 	<p data-bbox="557 1003 976 1125">Des blessures sérieuses voire mortelles peuvent arriver suite à une explosion d'un réservoir d'air, suite à un mauvais entretien.</p> <p data-bbox="557 1381 976 1600">Des blessures sérieuses peuvent arriver par un dysfonctionnement du compresseur d'air ou l'explosion d'accessoires, si des composants, annexes ou accessoires du système qui seraient de type incorrect sont utilisés.</p>	<p data-bbox="1011 1003 1425 1125">Purgez le réservoir d'air quotidiennement, ou après chaque utilisation, afin d'éviter une accumulation d'humidité à l'intérieur.</p> <p data-bbox="1011 1163 1458 1318">Si une fuite est constatée au réservoir d'air, il faut immédiatement le remplacer. Ne jamais chercher à réparer, souder ou modifier le réservoir d'air ni ses accessoires.</p> <p data-bbox="1011 1356 1458 1415">Ne jamais modifier les pression réglées en usine.</p> <p data-bbox="1011 1453 1430 1541">Ne dépassez jamais la pression correspondant au maximum nominal admissible par les accessoires reliés.</p> <p data-bbox="1011 1579 1458 1692">Du fait de la température très élevée, n'utilisez pas de tuyauterie plastique ou de jonctions soudées à l'étain pour la conduite de sortie.</p> <p data-bbox="1011 1730 1442 1818">N'utilisez jamais le compresseur pour gonfler des petits objets pour basse pression, comme les jouets.</p>



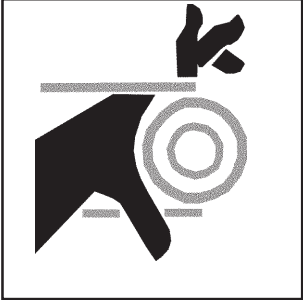
**MISES EN GARDE DE SÉCURITÉ**  
LISEZ TOUTES LES MISES EN GARDE DE SÉCURITÉ AVANT D'UTILISER LE  
COMPRESSEUR D'AIR

<b>DANGER</b>	<b>CONSÉQUENCES POTENTIELLES</b>	<b>PRÉVENTION</b>
<p align="center"><b>RISQUE D'INHALATION</b></p> 	<p>Des blessures sérieuses voire mortelles peuvent arriver suite à l'inhalation d'air comprimé. Le courant d'air peut contenir du monoxyde de carbone, des vapeurs toxiques ou des particules solides.</p> <p>Des matières vaporisées comme peinture, solvants pour peinture, décapants, insecticides, herbicides, etc. peuvent contenir des vapeurs et poisons qui présentent un danger.</p>	<p>Ne respirez jamais de l'air venant du compresseur d'air, ni directement ni par un appareil respiratoire branché sur le compresseur d'air.</p> <p>Ne faites fonctionner le compresseur d'air que dans une zone bien ventilée. Respectez toutes les instructions fournies avec le produit que vous vaporisez. L'utilisation d'un masque respiratoire peut être nécessaire pour appliquer certains produits.</p>
<p align="center"><b>RISQUE DE BRÛLURE</b></p> 	<p>Des blessures sérieuses peuvent arriver en touchant des pièces métalliques exposées. Ces surfaces peuvent rester très chaudes pendant un certain temps après l'arrêt du compresseur d'air.</p>	<p>Ne laissez jamais une partie quelconque de votre corps ou des objets entrer en contact avec n'importe quelle partie métallique exposée du compresseur d'air.</p>
<p align="center"><b>RISQUE D'OBJETS PROJETÉS</b></p> 	<p>Des dommages aux tissus fragiles peuvent être provoqués par le jet d'air comprimé.</p> <p>Des blessures sérieuses peuvent arriver par le fait que des débris libérés peuvent être projetés à grande vitesse par le jet d'air comprimé.</p>	<p>Portez toujours des lunettes de sécurité norme OSHA "Z87" pour protéger vos yeux des débris projetés. Ne dirigez jamais le jet d'air comprimé vers une quelconque partie de votre corps, ni vers d'autres personnes ou des animaux.</p> <p>Ne laissez jamais le compresseur d'air en marche sans surveillance. Coupez le compresseur et libérez la pression avant toute intervention sur le compresseur, comme le rattachement d'outils ou accessoires.</p> <p>Gardez toujours une distance de sécurité par rapport aux personnes et aux animaux en faisant fonctionner le compresseur d'air.</p> <p>Ne déplacez pas le compresseur d'air pendant que son réservoir est encore sous pression. Ne tentez pas de déplacer le compresseur en le tirant par sa conduite.</p>



## MISES EN GARDE DE SÉCURITÉ

LISEZ TOUTES LES MISES EN GARDE DE SÉCURITÉ AVANT D'UTILISER LE COMPRESSEUR D'AIR

DANGER	CONSÉQUENCES POTENTIELLES	PRÉVENTION
<p>RISQUE PRÉSENTÉ PAR LES PIÈCES MOBILES</p> 	<p>Risque de blessure corporelle venant des pièces mobiles. Le compresseur d'air se relance automatiquement quand son manostat est sur la position "On./Auto".</p>	<p>Coupez toujours le compresseur d'air quand vous ne vous servez pas de l'air comprimé. Purgez la pression du flexible d'envoi d'air et débranchez l'appareil de sa prise secteur avant d'entamer tout entretien. Toutes les réparations sur le compresseur d'air doivent être menées par un agent de dépannage autorisé. Ne présumez jamais que vous pouvez intervenir en sécurité sur le compresseur d'air juste parce qu'il ne tourne pas. Il pourrait redémarrer inopinément !</p>
<p>RISQUE PAR NÉGLIGENCE</p>	<p>Risque de blessure par utilisation négligente</p>	<p>Ne laissez jamais enfants ou adolescents faire fonctionner ce compresseur d'air ! Restez attentif à ce que vous faites. Ne faites pas fonctionner le compresseur d'air si vous êtes fatigué ou sous l'influence d'alcool ou médicaments. Sachez comment arrêter le compresseur d'air. Familiarisez-vous avec ses commandes.</p>
<p>RISQUE DE DOMMAGES AU COMPRESSEUR D'AIR</p>	<p>Risque d'avoir à procéder à des réparations lourdes.</p>	<p>Ne faites pas fonctionner le compresseur d'air sans son filtre à air. Ne faites pas fonctionner le compresseur d'air dans un environnement corrosif. Faites toujours fonctionner le filtre à air en position stable et sûre pour éviter qu'il ne tombe. Suivez bien toutes les instructions d'entretien données dans ce manuel.</p>

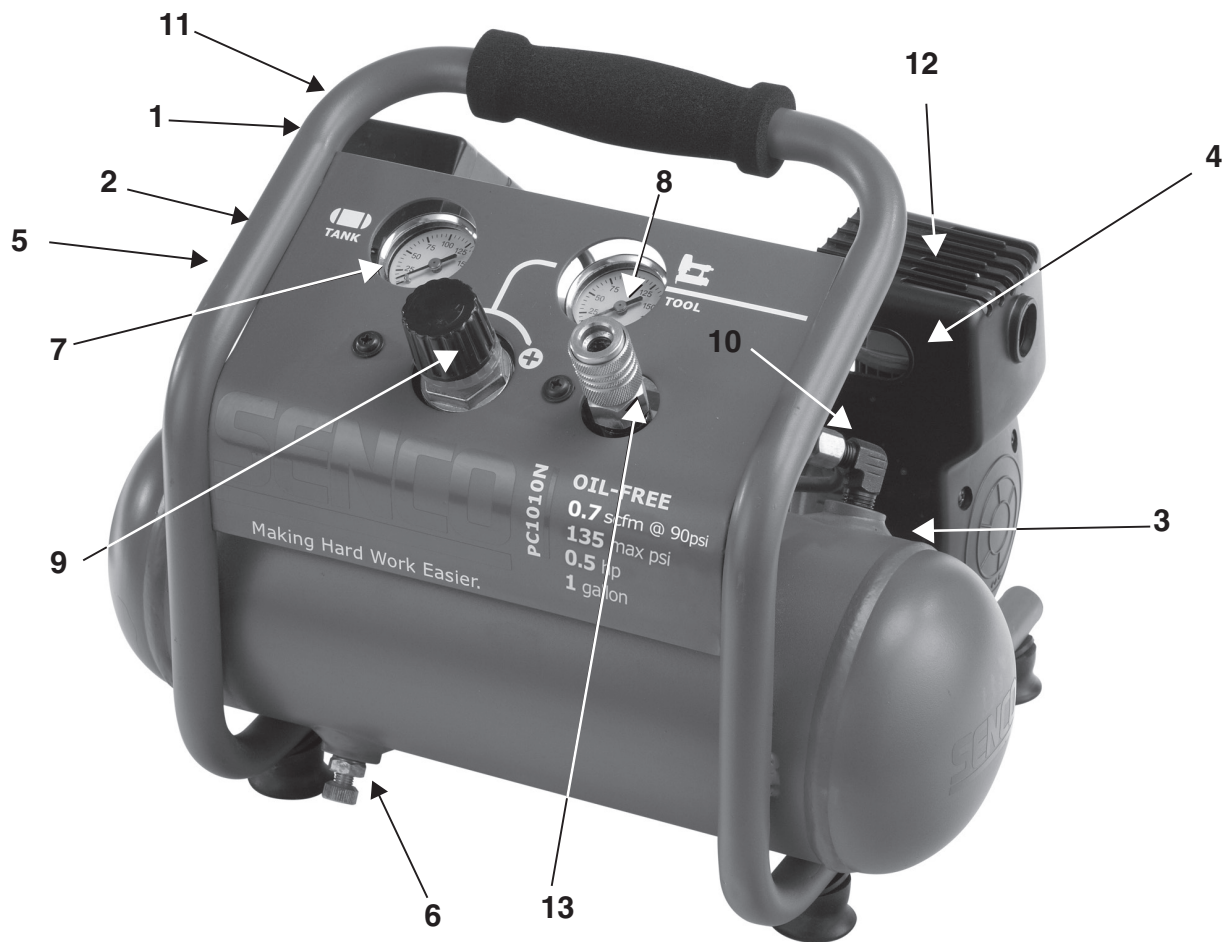
### CONSERVEZ CES INSTRUCTIONS !



#### AVERTISSEMENT

Ce produit contient des produits chimiques comme le plomb pouvant causer un cancer, des malformations à la naissance ou des problèmes pouvant affecter le système reproductif selon les études réalisées par l'état de la Californie.  
**Bien se laver les mains après usage**

## CARACTÉRISTIQUES DU COMPRESSEUR

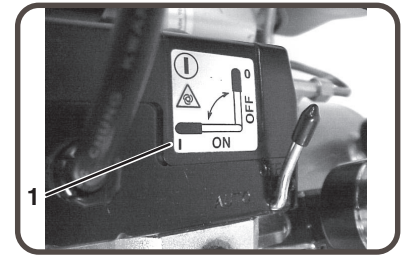


1. Moteur, manostat
2. Rupteur thermique / restauration
3. Filtre d'entrée d'air
4. Pompe du compresseur d'air
5. Soupape de sûreté
6. Robinet de purge du réservoir d'air
7. Manomètre de pression de réservoir
8. Manomètre de refoulement
9. Régulateur de pression
10. Conduite de refoulement
11. Cordon secteur 115 volts
12. Ouvertures de ventilation / coiffe de protection
13. Déconnexion rapide

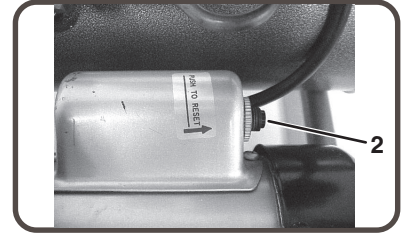


## CARACTÉRISTIQUES DU COMPRESSEUR

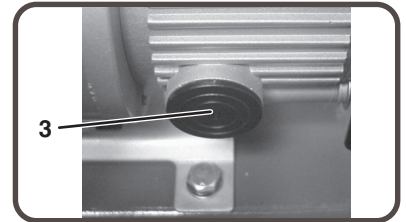
**1). MOTEUR / MANOSTAT :** Ce commutateur est utilisé pour démarrer ou arrêter le compresseur d'air. En le passant sur la position de marche (ON), le manostat est alimenté et de façon automatique commande le démarrage du moteur quand la pression dans le réservoir d'air est en dessous du seuil de pression basse fixé en usine. Quand il est sur la sélection (ON), le manostat commande la coupure du moteur quand la pression dans le réservoir d'air est au dessus du seuil de pression haute fixé en usine. Pour des raisons de sécurité le manostat comporte également une soupape de surpression située sur le côté, conçue pour relâcher automatiquement l'air comprimé de la tête de pompe du compresseur d'air et de sa conduite de déchargement quand l'appareil atteint sa pression de coupure ou est arrêté. Cela permet au moteur de redémarrer librement. Le passage du manostat en position Off lui coupe son alimentation et arrête le compresseur d'air.



**2). SURCHARGE DU MOTEUR:** Le moteur comporte un disjoncteur de protection situé sur la pompe. Un ampérage tiré trop important fait sauter ce disjoncteur pour protéger le moteur et l'opérateur. Réinitialisez le disjoncteur en repoussant la tige plastic noire dans le carter. Repositionnez le commutateur s'il a disjoncté.



**3). FILTRE D'ENTRÉE D'AIR :** Ce filtre est prévu pour nettoyer l'air qui arrive à la pompe. Pour assurer une arrivée d'air frais à la pompe continuellement propre et sec, ce filtre doit rester toujours propre et l'ouverture de ventilation libre de toute obstruction. Le filtre peut être déposé pour un nettoyage utilisant de l'eau savonneuse chaude. Rincez ensuite le filtre et faites-le sécher.



**4). POMPE DU COMPRESSEUR D'AIR :** Pour compresser l'air, le piston monte et descend dans le cylindre. Dans le mouvement de descente, l'air est aspiré par la soupape d'admission, tandis que la soupape d'échappement reste fermée. Dans le mouvement de remontée, l'air est comprimé, la soupape d'admission se ferme et l'air comprimé est chassé par la soupape d'échappement dans la conduite d'échappement, au travers du clapet anti-retour puis dans le réservoir d'air.



**5). SOUPAPE DE SÛRETÉ :** Cette soupape est conçue pour éviter des pannes de système en relâchant sa pression quand l'air comprimé atteint un niveau prédéterminé. La soupape est réglée à l'avance par le constructeur et ne doit être retouchée en aucune manière. Pour vérifier le bon fonctionnement de cette soupape, tirer sur l'anneau. De l'air sous pression doit s'échapper. Quand l'anneau est relâché la soupape se remet en place.

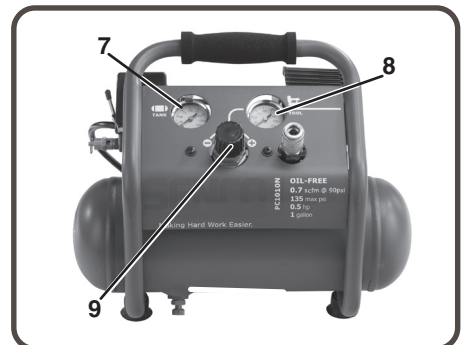


**6). ROBINET DE PURGE DU RÉSERVOIR D'AIR :** Ce robinet de purge est utilisé pour évacuer l'humidité du réservoir d'air après l'arrêt du compresseur. **Ne JAMAIS essayer d'ouvrir ce robinet quand il y a plus de 10 psi (0,68 bar) de pression dans le réservoir d'air !** Pour ouvrir ce robinet de purge, tournez son bouton dans le sens du dévissage. Penchez le réservoir pour vous assurer que toute l'eau coule bien par le robinet.

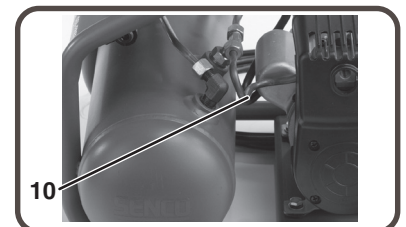
**7). MANOMÈTRE DE RÉSERVOIR D'AIR :** Ce manomètre indique la pression de l'air comprimé en réserve dans le réservoir d'air.

**8). MANOMÈTRE DE REFOULEMENT :** Ce manomètre indique la pression d'air disponible du côté de sortie du régulateur. Cette pression est contrôlée par le régulateur et elle est toujours inférieure ou égale à celle de l'air du réservoir.

**9). RÉGULATEUR DE PRESSION :** L'air sous pression venant du réservoir d'air est contrôlé par le bouton du régulateur. En tournant ce bouton dans le sens du vissage on augmente la pression de sortie, et en sens contraire on la diminue.



**10). CONDUITE DE REFOULEMENT :** Veuillez garder en mémoire que cette conduite est très chaude.



## PRÉPARATION

### MISE EN ŒUVRE INITIALE :

1. Lisez les mises en garde de sécurité avant de mettre en œuvre le compresseur d'air.

### EMPLACEMENT:

#### ATTENTION

De façon à éviter d'endommager le compresseur d'air, ne l'inclinez pas transversalement ou longitudinalement de plus de 10.

1. Placez le compresseur d'air au moins à 30 cm de tous les obstacles qui pourraient empêcher une bonne ventilation. Ne le placez pas dans toute zone où :
  - il y a une évidence de fuites de gaz ou d'huile.
  - il y a des vapeurs ou des matériaux inflammables.

#### AVERTISSEMENT



Des blessures graves voire mortelles peuvent survenir si des étincelles électriques du moteur ou du manostat entrent en contact avec de vapeurs inflammables, de la poussière de combustible, des gaz ou d'autres matériaux combustibles. Quand vous utilisez le compresseur d'air pour vaporiser de la peinture, placez-le le plus loin possible de la zone de travail, utilisez une rallonge de flexible plutôt qu'une rallonge de cordon secteur.

- où la température de l'air tombe en dessous de 0C ou dépasse 40C.
- où de l'air très pollué ou de l'eau peut entrer dans le compresseur

### ALIMENTATION ÉLECTRIQUE :

#### DANGER



Une connexion incorrecte du conducteur de mise à la terre de l'équipement peut entraîner un risque de commotion électrique ou d'électrocution. Faites vérifier par un électricien qualifié ou un agent de dépannage si vous avez un doute quant à la bonne mise à la terre de la prise secteur. N'utilisez aucun type d'adaptateur avec ce produit. Si la réparation ou le remplacement du cordon secteur s'avère nécessaire, ne connectez pas le fil de terre sur l'une ou l'autre des bornes à lame plate. Le fil avec isolant dont la surface extérieure est verte avec ou sans rayures jaunes est le fil de terre.

#### AVERTISSEMENT



Ce produit doit être mis à la terre. En cas d'hypothétique dysfonctionnement ou panne, la mise à la terre fournit un chemin de moindre résistance pour le courant électrique, ce qui réduit le risque de commotion électrique ou d'électrocution. Ce produit est équipé d'un cordon ayant un fil pour la mise à la terre de l'équipement et une fiche secteur de type mise à la terre. Cette fiche doit être enfoncée dans une prise murale adéquate correctement installée et reliée à la terre en conformité avec toutes les normes et réglementations locales.

SENCO ne recommande pas l'utilisation de rallonges secteur, car cela provoque de la perte de puissance et une surchauffe du moteur. Utilisez plutôt une rallonge de flexible de sortie d'air comprimé. Si vous étiez dans l'obligation d'utiliser une rallonge secteur, elle doit être branchée sur boîte de raccordement protégée par disjoncteur différentiel ou sur des prises protégées. Quand vous utilisez une rallonge secteur, observez ces règles :

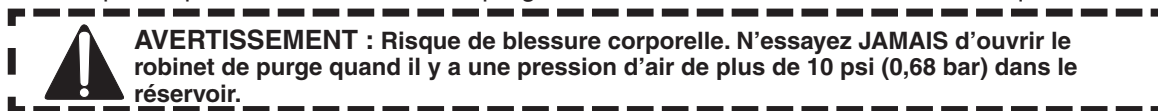
Longueur de câble	Calibre AWG de fil
Jusqu'à 7,5 m	12
Jusqu'à 30 m	10
Jusqu'à 50 m	8
Jusqu'à 75 m	6

N'utilisez que des rallonges à trois broches munies de fiches secteur à trois broches pour mise à la terre, et des douilles secteur trois broches qui pourront recevoir le fiche secteur du produit. N'utilisez que des rallonge secteur ayant au moins de spécifications égales à celles du cordon du produit. N'utilisez pas de rallonge électrique usagée. Examinez la rallonge avant de l'utiliser et rejetez-la si elle est endommagée. N'abusez pas des rallonges électriques et ne tirez pas sur le câble pour débrancher. Gardez le cordon à l'écart de la chaleur et des angles vifs. Coupez toujours le compresseur d'air à son interrupteur avant de débrancher sa prise secteur.

## FONCTIONNEMENT

### LISTE DE VÉRIFICATIONS PRÉLIMINAIRES :

1. Enlevez toute humidité du réservoir d'air comprimé. Faites retomber la pression en activant un outil mu par air comprimé, puis ouvrez le robinet de purge en bas du réservoir. Refermez-le bien quand l'eau est évacuée.



2. Assurez-vous que le commutateur du moteur du compresseur est en position d'arrêt (OFF).
3. Assurez-vous que toutes les soupapes de sécurité fonctionnent bien.
4. Vérifiez que toutes les protections et couvercles sont en place et bien fixés.

### DÉMARRAGE :

1. Assurez-vous que le levier de la boîte de commutateur de pression est sur position d'arrêt (OFF).
2. Branchez la fiche secteur dans la prise secteur murale.
3. Déplacez le levier de la boîte de commutateur de pression en position ON.
4. Passez sur la position de marche (ON). Cela va permettre au compresseur d'air de commencer à bâtir une pression dans le réservoir d'air et de s'arrêter quand la pression prédéterminée correcte est atteinte. Quand la pression descend par l'utilisation de l'air comprimé, le compresseur se met tout seul en marche pour la remonter.
5. Réglez la pression d'air de sortie en tournant le bouton du régulateur (sens du dévissage pour la baisser, sens du vissage pour l'augmenter).
6. Si vous remarquez bruit ou vibration anormaux, arrêtez le compresseur d'air et reportez-vous à la section Dépannage.

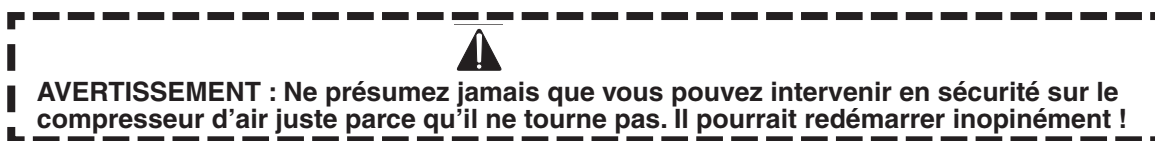
### COÛPURE :

1. Pour arrêter le compresseur d'air, déplacez le levier de la boîte de commutateur de pression en position d'arrêt (OFF). N'arrêtez JAMAIS le compresseur d'air en débranchant sa fiche secteur. Cela peut provoquer un risque d'électrocution.
2. Faites retomber la pression en activant un outil mu par air comprimé, ou en tirant sur l'anneau de la soupape de sûreté.
3. Une fois que la pression dans le réservoir d'air est retombée à moins de 10 psi, ouvrez le robinet de purge sous le réservoir pour évacuer toute l'eau résiduelle.
4. Laissez le compresseur refroidir.
5. Essuyez proprement le compresseur et entreposez-le dans un endroit sûr et hors gel.

### ENTRETIEN

Lisez ce manuel d'instructions avant d'effectuer un quelconque entretien. Les procédures qui suivent doivent être suivies au moment de l'arrêt du compresseur d'air en cas d'entretien ou de dépannage.

1. Coupez le compresseur d'air à son interrupteur.



2. Débranchez le cordon secteur de la prise secteur.
3. Ouvrez toutes les vidanges.
4. Laissez refroidir le compresseur d'air avant de démarrer l'intervention.

### TABLEAU D'ENTRETIEN

PROCÉDURE	QUOTIDIEN	HEBDOMADAIRE	MENSUEL
Purger la condensation du réservoir d'air	X		
Chercher des bruits/vibrations anormaux	X		
Chercher des fuites d'air	X		
Inspecter le filtre à air		X	
Nettoyer l'extérieur du compresseur		X	
Vérifier la soupape de sûreté			X

## DÉPANNAGE

### Symptôme 1 – Le moteur ne tourne pas ou ne redémarre pas

CAUSE PROBABLE	REMÈDE
Le cordon secteur n'est pas branché.	Connectez le cordon sur la prise secteur.
Le commutateur moteur/pression est sur arrêt (OFF). Passez le commutateur en position de marche (ON).	
Le rupteur thermique s'est déclenché.	Coupez le compresseur d'air, attendez que le moteur refroidisse, puis vérifiez le rupteur du moteur.
Calibre de fil insuffisant ou longueur de rallonge trop élevée.	Vérifiez que le fusible a le bon ampérage. Vérifiez si la tension secteur ne descend pas trop bas. Débranchez tous les autres appareillages de ce circuit d'alimentation, ou aménagez un circuit d'alimentation électrique que pour le compresseur. Vérifiez en page 10 la bonne correspondance entre calibre et longueur du cordon secteur.
La pression d'air du réservoir dépasse le seuil de pression de redémarrage du moteur.	Le moteur va démarrer automatiquement quand la pression du réservoir sera tombée sous le seuil de redémarrage du compresseur.
La soupape de relâchement de pression du commutateur moteur/pression n'a pas déchargé la pression de la tête de pompe.	Purgez la conduite en passant le commutateur sur l'arrêt (OFF).
Moteur, condensateur de moteur, commutateur moteur/pression potentiellement défectueux.	Contactez le support à la clientèle de Senco.

### Symptôme 2 – Sur l'option ON le moteur tourne sans arrêts

CAUSE PROBABLE	REMÈDE
Le commutateur moteur/pression ne coupe pas le moteur quand la pression d'air du réservoir atteint le seuil haut et le soupape de sûreté doit se déclencher.	Passez le commutateur moteur/pression sur la position d'arrêt (OFF). Si le moteur ne se coupait pas, débranchez le compresseur d'air. Si les contacts électriques se sont soudés, remplacez le commutateur.
Le compresseur d'air est sous-dimensionné.	Limitez la pression de l'air à la capacité du compresseur d'air. Utilisez soit un outil moins puissant soit un compresseur d'air de plus forte capacité.

### Symptôme 3 – L'air continue de fuir à la valve de purge du commutateur moteur/pression après l'arrêt du moteur.

CAUSE PROBABLE	REMÈDE
Vanne de pilotage défectueuse, le clapet anti-retour est resté bloqué en position ouverte.	Démontez, nettoyez ou remplacez.

### Symptôme 4 – L'air continue de fuir à la valve de purge du commutateur moteur/pression quand le moteur tourne.

CAUSE PROBABLE	REMÈDE
Commutateur moteur/pression défectueux	Remplacement.

## DÉPANNAGE

### Symptôme 5 – L'air fuit au niveau de la soupape de sûreté.

**CAUSE PROBABLE**

Commutateur moteur/pression défectueux.

**REMÈDE**

Remplacement.

### Symptôme 6 – L'air fuit au niveau de raccords.

**CAUSE PROBABLE**

Les raccords ne sont pas assez serrés.

**REMÈDE**

Resserrez les raccords là où vous entendez l'air s'échapper. Vérifiez l'étanchéité des raccords avec de l'eau savonneuse.

### Symptôme 7 – L'air fuit au niveau du réservoir.

**CAUSE PROBABLE**

Réservoir défectueux ou percé par la rouille.

**REMÈDE**

Il faut remplacer le réservoir d'air. N'essayez pas de réparer un réservoir d'air !

### Symptôme 8 – L'air fuit au niveau du filtre d'entrée.

**CAUSE PROBABLE**

Soupape flexible d'admission défectueuse.

**REMÈDE**

Contactez le service à la clientèle de Senco au 888-222-8144.

### Symptôme 9 – Pression d'air comprimé insuffisante au niveau de l'outil ou accessoire.

**CAUSE PROBABLE**

Le bouton de réglage du régulateur n'est pas assez tourné côté pression plus élevée ou le régulateur de pression est défectueux.

**REMÈDE**

Réglez le bouton du régulateur pour plus de pression, ou changez le régulateur.

Le filtre d'admission d'air est obstrué.

Nettoyez le filtre.

Il y a des fuites d'air.

Recherchez et réparez les fuites.

Le compresseur d'air n'est pas assez puissant pour la demande.

Vérifiez la consommation en air comprimé de l'accessoire. Si cette demande est supérieure à la production (pieds cubes par minute) du compresseur d'air, il vous faut un compresseur plus gros.

### Symptôme 10 – Le compresseur d'air ne produit pas assez d'air comprimé.

**CAUSE PROBABLE**

Le filtre d'admission d'air est obstrué.

**REMÈDE**

Nettoyez le filtre.

Soupape flexible d'admission défectueuse.

Purgez le réservoir d'air et mesurez le temps de fonctionnement de la pompe. Comparez-le aux spécifications. S'il est inférieur, démontez la tête de pompe et inspectez la plaque porte soupape, nettoyez ou remplacez.

### Symptôme 11 – Humidité dans l'air en sortie.

**CAUSE PROBABLE**

Condensation dans le réservoir d'air causée par un niveau élevé d'hygrométrie atmosphérique, ou le fait que le compresseur d'air n'a pas tourné assez longtemps.

**REMÈDE**

Purgez bien le réservoir d'air après chaque utilisation. Purgez-le plus souvent par temps humide et utilisez un filtre sur la conduite d'air.

## SPÉCIFICATIONS

<b>Référence de modèle</b>	<b>PC 1010N</b>
<b>Moteur</b>	
Puissance	1 cv (Maximum) 1/2 cv (en marche normale)
Tension	115 V
Ampérage	4 A
Fréquence	60 Hz
Phase	Monophasé
Vitesse de rotation	3400 tours/minute
<b>Pompe de compresseur</b>	
Nombre de cylindres	1
Étage de compression	1
Carter	Aluminium
Paliers	Billes
Cylindre	Aluminium
Soupapes	Flexible à ruban simple
Tête	Aluminium
Filtre	Insert
<b>Réglage du commutateur moteur/pression</b>	
Seuil haut de coupure	135 psi
Seuil bas de démarrage	105 psi
Commandes	Démarrage / coupure
<b>Réservoir d'air</b>	
Capacité	1 gallon US (4,2 l)
<b>Performance globale</b>	
Déplacement d'air en pieds <sup>3</sup> /min	1,4
Capacité sous 40 psi	1,0
Capacité sous 90 psi	0,7
Capacité sous 100 psi	0,6
Pression maximale	135 psi
Temps d'activation de pompe de 0 à 135 psi	102 secondes
Temps de récupération de 105 à 135 psi	27 secondes
<b>Poids</b>	
Net	9 kg (21 livres)
<b>Dimensions</b>	
Longueur x largeur x hauteur	35,6 x 33,0 x 25,4 cm (14" x 13" x 10")

# Limited Warranty

## SENCO® Pneumatic, DuraSpin®, Cordless Tools & Compressors

Senco Brands, Inc. ("SENCO") designs and constructs its products using the highest standards of material and workmanship. SENCO warrants to the original retail purchaser that the following products will be free from defects in material or workmanship for the warranty period specified below:

SENCO® XP Series-Red Cap Five years	SENCO PRO Series One year	SENCO Compressors One year	
SENCO® XP Series-Black Cap Two Years	SENCO DuraSpin® One year	SENCO Cordless Two years	Hand Nailers One Year
SENCO FP502 Two Years	SENCO Reconditioned Products One Year	Gas Cordless Two Years	

During the warranty period (which begins on the purchase date), SENCO will repair or replace, at SENCO's option and expense, any product or part that is defective in materials or workmanship after examination by a SENCO Authorized Warranty Service Center, subject to the exceptions, exclusions and limitations described below. Any replacement product or part will carry a warranty for the balance of the warranty period applicable to the replaced product or part. A DATED SALES RECEIPT OR PROOF OF PURCHASE FROM THE ORIGINAL RETAIL PURCHASER IS REQUIRED TO MAKE A WARRANTY CLAIM. Product registration can be accomplished through on-line Product Registration at [www.senco.com](http://www.senco.com) or by completing and returning the postage paid product registration form included with your Operator's manual/parts chart information, found inside the product carton. To make a warranty claim, you must return the product, with proper receipt/proof of purchase and return transportation charges prepaid, to a SENCO Authorized Warranty Service Center. A list of SENCO Authorized Warranty Service Centers can be found at [www.senco.com](http://www.senco.com) or by calling 1-800-543-4596 toll free. SENCO will perform its obligations under this warranty, within a reasonable time after approval of the warranty claim.

### Wheelbarrow Compressors:

- Subject to the exceptions, exclusions and limitations described below, SENCO warrants that the compressor pump will be free from defects in materials and workmanship for two years after the purchase date.
- Defective parts of the compressor pump not subject to normal wear and tear will be repaired or replaced, at SENCO's option, during the two year warranty period. If SENCO determines that repair or replacement is not feasible, SENCO will refund the purchase price less reasonable depreciation based on actual use.

### SENCO Cordless:

- Subject to the exceptions, exclusions and limitations described below, SENCO warrants that the SENCO Cordless tool will be free from defects in materials and workmanship for two years after the purchase date.
- Subject to the exceptions, exclusions and limitations described below, SENCO warrants that the batteries and chargers used with SENCO Cordless tools will be free from defects in material and workmanship for one year after the purchase date.

### WARRANTY EXCLUSIONS

The following warranty exclusions apply:

- Normal wear parts are not covered under this warranty. Normal wear parts include, for example, isolators, drive belts, air filters, rubber o-rings, seals, driver blades, piston stops, piston/driver assembly, and fuel stems.
- This warranty does not cover parts damaged due to normal wear, misapplication, misuse, accidents, operation at other than recommended speeds or voltage (electric units only), improper storage, or damage resulting during shipping.
- Products used in production/industrial applications as defined by SENCO are excluded from this warranty.
- Labor charges or loss or damage resulting from improper operation, maintenance or repairs are not covered by this warranty.
- SENCO does not warrant the Wheelbarrow Compressor Engine/Motor, but the Compressor Engine/Motor may be covered under a warranty offered by its manufacturer.

### GENERAL WARRANTY CONDITIONS

This warranty will be honored, only if:

- Clean, dry, regulated compressed air has been used, at air pressure not exceeding the maximum indicated on the tool casting;
- No evidence of abuse, abnormal conditions, accident, neglect, misuse or improper modifications or storage of the product; and
- No Deviation from operating instructions, specifications, and maintenance schedules exists (read Operator Manual for use, specifications, and maintenance instructions).

THIS WARRANTY IS THE ONLY WARRANTY ON THE PRODUCT, AND SENCO DISCLAIMS ALL OTHER WARRANTIES. ANY IMPLIED WARRANTIES WILL BE LIMITED IN DURATION TO THE APPLICABLE WARRANTY PERIOD SPECIFIED ABOVE. SOME STATES DO NOT ALLOW LIMITATIONS ON HOW LONG AN IMPLIED WARRANTY LASTS, SO THE ABOVE LIMITATION MAY NOT APPLY TO YOU. YOUR REMEDIES ARE SOLELY AND EXCLUSIVELY AS STATED ABOVE. SENCO SHALL IN NO EVENT BE LIABLE FOR INCIDENTAL, CONSEQUENTIAL, INDIRECT, OR SPECIAL DAMAGES. SOME STATES DO NOT ALLOW THE EXCLUSION OR LIMITATION OF INCIDENTAL OR CONSEQUENTIAL DAMAGES, SO THE ABOVE LIMITATION OR EXCLUSION MAY NOT APPLY TO YOU. IN NO EVENT, WHETHER AS A RESULT OF A BREACH OF CONTRACT, WARRANTY, TORT (INCLUDING NEGLIGENCE) OR OTHERWISE, SHALL SENCO'S LIABILITY EXCEED THE PRICE OF THE PRODUCT WHICH HAS GIVEN RISE TO THE CLAIM OR LIABILITY. ANY LIABILITY CONNECTED WITH THE USE OF THIS PRODUCT SHALL TERMINATE UPON THE EXPIRATION OF THE WARRANTY PERIOD SPECIFIED ABOVE. NO EMPLOYEE OR REPRESENTATIVE OF SENCO OR ANY DISTRIBUTOR OR DEALER IS AUTHORIZED TO MAKE ANY CHANGE OR MODIFICATION TO THIS WARRANTY.

This warranty gives you specific legal rights, and you may also have other rights which vary from state to state.

### REPLACEMENT OF TOOL DUE TO NATURAL DISASTER

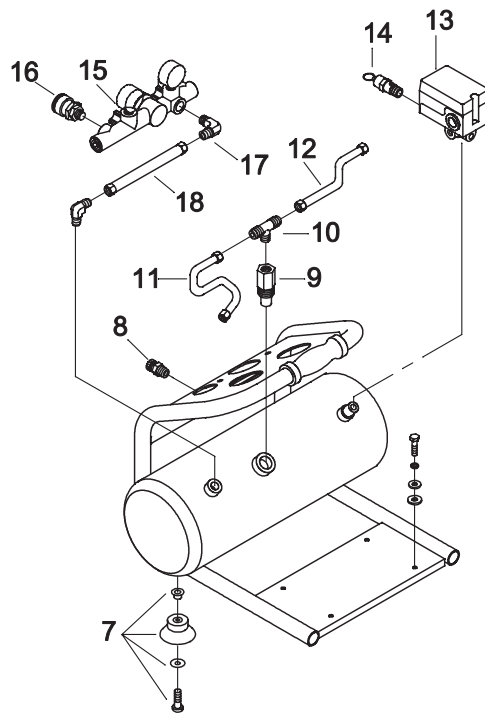
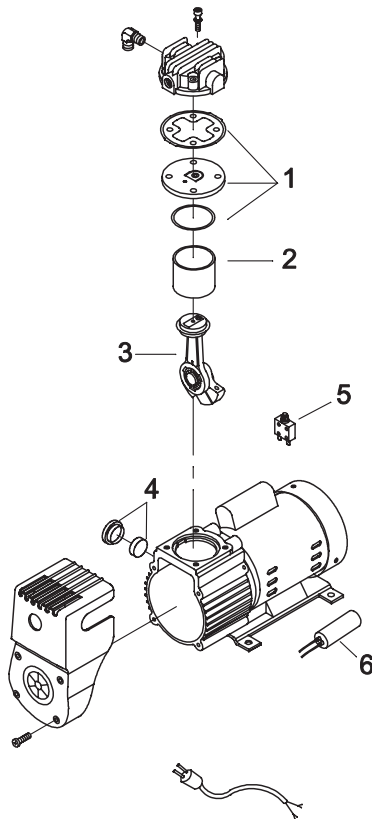
SENCO will replace any tool destroyed by an Act of God such as flood, earthquake, hurricane or other disaster resulting only from the forces of nature. Such a claim will be honored provided that such original retail purchaser had previously submitted a completed warranty registration card for the tool, and then submits proof of ownership and an acceptable statement describing such Act of God documented by an insurance carrier, police department, or other official governmental source. To obtain instructions for filing a claim call 1-800-543-4596.

### CUSTOMER SATISFACTION

One hundred percent customer satisfaction is our #1 goal. If for any reason the product does not perform to the original purchaser's satisfaction, it can be returned to the place of purchase **within thirty days** with dated sales receipt for a full refund of the purchase price.

## Compresseur d'air électrique 1/2 CV

### Guide de référence des pièces



Ref. No.	No de pièce	Description
1	3B11DC02A	Ensemble de soupape d'échappement
2	3201068	Cylindre
3	3B34DC02	Ensemble de tige
4	2140026	Air Filter Set
5	2E2505A	Fixation de filtre à air
6	2E27010F2525	Circuit disjoncteur
7	3433011A	Isolateur
8	2405012	Robinet de purge
9	2414033A	Clapet anti-retour
10	2N0902H01T02H4	Le déchargement 3-way tuyau
11	3B202120F	Tube de décharge A
12	3B202190N	Tube de décharge B
13	3Y30WS002	Manostat
14	2406016A	Soupape de décharge
15	3Y30WS003	Régulateur
16	PC0901	Coupleur rapide
17	2N0602T02HS	Le coude d'échappement
18	3B202150N	Tube de décharge C





**PC1010N**

# Compresor de aire eléctrico

## Instrucciones de Operacion



Senco Brands, Inc.  
8450 Broadwell Road  
Cincinnati, OH 45244  
1-800-543-4596  
www.senco.com



Los avisos para el uso seguro de esta herramienta están incluidos en este manual.

Revisado 5/31/13

© 2013 by Senco Brands, Inc.

## INDICE

<b>INTRODUCCIÓN .....</b>	<b>3</b>
INSTRUCCIONES DE SEGURIDAD.....	3
INSPECCIÓN .....	3
<b>ADVERTENCIAS.....</b>	<b>4-7</b>
SISTEMA ELÉCTRICO.....	4
EXPLOSIÓN O INCENDIO .....	5
ESTALLIDO.....	5
RESPIRACIÓN .....	6
QUEMADURAS.....	6
OBJETOS VOLANTES .....	6
PIEZAS MÓVILES.....	7
NEGLIGENCIA .....	7
DAÑO AL COMPRESOR DE AIRE .....	7
ADVERTENCIA PROPOSICION 65 DE CALIFORNIA .....	7
<b>CARACTERÍSTICAS DEL COMPRESOR.....</b>	<b>8</b>
<b>PREPARACIÓN .....</b>	<b>10</b>
MONTAJE INICIAL.....	10
EMPLAZAMIENTO.....	10
SISTEMA ELÉCTRICO.....	10
<b>FUNCIONAMIENTO .....</b>	<b>11</b>
LISTA DE COMPROBACIÓN ANTES DE LA PUESTA EN MARCHA .....	11
PUESTA EN MARCHA .....	11
PARADA .....	11
<b>MANTENIMIENTO .....</b>	<b>11</b>
<b>LOCALIZACIÓN Y SOLUCIÓN DE AVERÍAS .....</b>	<b>12-13</b>
<b>ESPECIFICACIONES .....</b>	<b>14</b>
<b>GARANTÍA .....</b>	<b>15</b>
<b>TABLA DE PIEZAS DE REPUESTO .....</b>	<b>16</b>

## INTRODUCCIÓN

¡Lo felicitamos por la compra de su nuevo compresor de aire Senco®! Puede tener la seguridad de que su compresor de aire Senco fue construido con el más alto nivel de precisión y exactitud. Cada componente fue sometido a pruebas rigurosas por los técnicos para garantizar la calidad, duración y rendimiento de este compresor de aire.

Este manual del operador fue redactado para su beneficio. Al leer y respetar los sencillos pasos de seguridad, instalación, operación y mantenimiento descritos en este manual, disfrutará de muchos años de funcionamiento sin problemas de su nuevo compresor de aire Senco. El contenido de este manual está basado en la información más reciente del producto disponible al momento de la publicación. El fabricante se reserva el derecho de hacer cambios en el precio, el color, los materiales, el equipo, las especificaciones o los modelos en cualquier momento sin previo aviso.



### ¡AVISO DE SEGURIDAD!

Un aviso de seguridad titulado "PELIGRO, ADVERTENCIA o ATENCIÓN" estará encuadrado en un "AVISO DE SEGURIDAD". Este encuadre se utiliza para designar y recalcar los avisos de seguridad que deben respetarse cuando se maneja este compresor de aire. Los avisos de seguridad van acompañados de "palabras de aviso" que designan el grado o nivel de la gravedad del riesgo. Las "palabras de aviso" que se utilizan en este manual son las siguientes:

**PELIGRO:** Indica una situación inminentemente peligrosa que, si no se evita, RESULTARÁ en lesiones graves o muerte.

**ADVERTENCIA:** Indica una situación potencialmente peligrosa que, si no se evita, PODRÍA resultar en lesiones graves o muerte.

**ATENCIÓN:** Indica una situación potencialmente peligrosa que, si no se evita, PUEDE resultar en lesiones leves o moderadas o daño al compresor de aire.



Estos símbolos se usan para llamar la atención hacia artículos o procedimientos que podrían ser peligrosos para usted u otras personas que estén utilizando este equipo.

PROPORCIONE SIEMPRE UN EJEMPLAR DE ESTE MANUAL A TODA PERSONA QUE UTILICE ESTE EQUIPO. ANTES DE MANEJAR ESTE COMPRESOR DE AIRE, LEA TODAS LAS INSTRUCCIONES EN ESTE MANUAL Y AQUELLAS SUMINISTRADAS POR LOS FABRICANTES DE LOS EQUIPOS SUPLEMENTARIOS, Y DESTAQUE ESPECIALMENTE LAS "MEDIDAS DE SEGURIDAD" PARA PREVENIR LA POSIBILIDAD DE LESIONES AL OPERADOR.

## INSPECCIÓN

Desembale el compresor de aire y anote el número de serie en el espacio más abajo provisto para ese fin. Inspeccione para ver si hay indicios de daños obvios u ocultos ocurridos durante el transporte. Antes de hacer funcionar el compresor de aire, asegúrese de reemplazar todas las piezas dañadas y reparar las averías mecánicas.

NÚMERO DE SERIE \_\_\_\_\_

Para consultas o comentarios, llame sin cargo a la línea de asistencia de Senco: 1-800-543-4596 ó envíe e-mail a: [toolprof@Senco.com](mailto:toolprof@Senco.com)

Por favor tenga la información siguiente a mano para todas las llamadas de servicio:


1. Número de modelo
2. Número de serie
3. Fecha y lugar de compra

Senco, 4270 Ivy Pointe Blvd., Cincinnati, OH 45245

## MEDIDAS DE SEGURIDAD



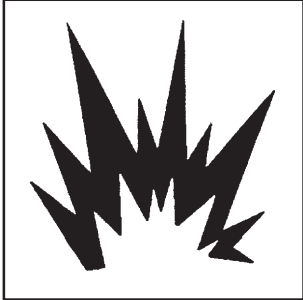
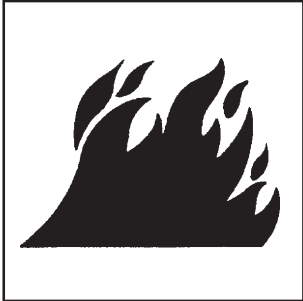
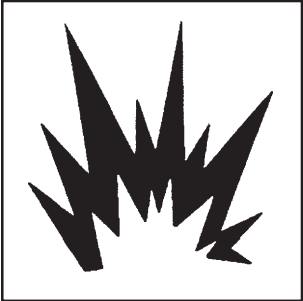
LEA TODAS LAS MEDIDAS DE SEGURIDAD ANTES DE USAR EL COMPRESOR DE AIRE

RIESGO	CONSECUENCIA POTENCIAL	PREVENCIÓN
<p data-bbox="186 310 446 403"><b>RIESGO DE ELECTROCHOQUE O ELECTROCUCIÓN</b></p> 	<p data-bbox="535 289 966 541">Si no se conecta a tierra correctamente el compresor de aire, podrían ocurrir lesiones graves o la muerte. Su compresor de aire es alimentado por electricidad y puede causar electrochoque o electrocución si no se usa debidamente.</p> <p data-bbox="535 640 925 703">El cordón eléctrico puede causar electrochoque.</p> <p data-bbox="535 861 966 955">Puede ocurrir electrochoque si no se maneja correctamente el compresor de aire.</p> <p data-bbox="535 1312 958 1428">Pueden ocurrir lesiones graves o la muerte si personas sin experiencia intentan hacer las reparaciones eléctricas.</p>	<p data-bbox="998 289 1518 577">Asegúrese de que el compresor de aire está enchufado a un tomacorriente correctamente conectado a tierra y que suministra el voltaje correcto y la protección adecuada mediante fusibles. Revise el cordón de alimentación para ver si hay indicios de aplastamiento, cortes o daños por calor. Reemplace el cordón defectuoso antes de usar el compresor.</p> <p data-bbox="998 609 1518 787">Mantenga todas las conexiones secas y elevadas del suelo. No deje que los cordones eléctricos queden en el agua o en una posición donde pudieran quedar en contacto con agua. No toque el enchufe con las manos mojadas.</p> <p data-bbox="998 829 1510 1239">No tire del cordón eléctrico para desenchufarlo del tomacorriente. No maneje nunca el compresor de aire en condiciones mojadas o a la intemperie cuando está lloviendo. No maneje nunca el compresor de aire con los protectores o cubiertas fuera de lugar o dañados. Toda conexión de cableado o reparación eléctrica en este compresor de aire debe ser ejecutada por personal de servicio autorizado y de acuerdo con los códigos eléctricos nacionales y locales.</p> <p data-bbox="998 1270 1518 1554">Antes de abrir un caja de conexiones eléctricas, apague siempre el compresor de aire, descargue la presión y desenchufe el compresor de la fuente de alimentación. Deje que el compresor de aire se enfríe. Nunca dé por supuesto que puede trabajar sin peligro en el compresor de aire, simplemente por que no está funcionando. ¡Podría arrancar en cualquier momento!</p>



## MEDIDAS DE SEGURIDAD

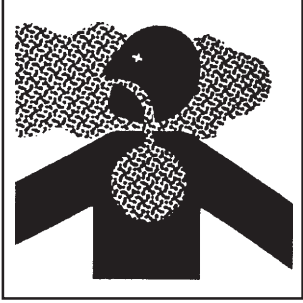
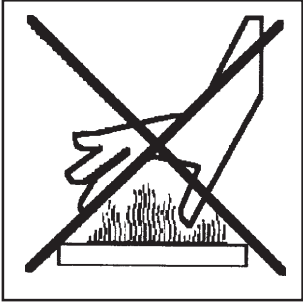

LEA TODAS LAS MEDIDAS DE SEGURIDAD ANTES DE USAR EL COMPRESOR DE AIRE

RIESGO	CONSECUENCIA POTENCIAL	PREVENCIÓN
<p data-bbox="204 285 516 348"><b>RIESGO DE EXPLOSIÓN O INCENDIO</b></p>  	<p data-bbox="574 275 1000 401">Las chispas eléctricas que ocurren normalmente en el motor y el interruptor de presión puede causar lesiones graves o la muerte.</p> <p data-bbox="574 684 1000 842">Pueden ocurrir graves lesiones si cualquiera de los orificios de venteo del compresor se obtura, causando el sobrecalentamiento e incendio del compresor de aire.</p>	<p data-bbox="1036 275 1455 432">Utilice siempre el compresor de aire en un lugar bien ventilado libre de vapores inflamables, polvo combustible, gases u otros materiales combustibles.</p> <p data-bbox="1036 474 1455 684">Si está pulverizando con un material inflamable, sitúe el compresor de aire a por lo menos 20 pies de distancia de la zona de pulverización. (Es posible que se necesite una manguera adicional.)</p> <p data-bbox="1036 726 1455 936">Nunca coloque objetos aferrados contra el compresor de aire o encima del mismo. Utilice el compresor de aire a por lo menos 12 pulgadas de distancia de la pared u obstrucción que pudiera restringir la ventilación adecuada.</p>
<p data-bbox="282 1058 431 1121"><b>RIESGO DE ESTALLIDO</b></p> 	<p data-bbox="574 1010 1000 1125">Pueden ocurrir lesiones graves o la muerte si el tanque de aire llegara a explotar por falta de mantenimiento adecuado.</p> <p data-bbox="574 1388 1000 1566">Pueden ocurrir lesiones graves a causa de una avería del compresor de aire o explosión de los accesorios por el uso de componentes, implementos o accesorios incorrectos.</p>	<p data-bbox="1036 1010 1455 1125">Vacíe el tanque de aire diariamente o después de cada uso para evitar la acumulación de humedad en el tanque.</p> <p data-bbox="1036 1167 1455 1356">Si el tanque comienza a perder aire, cámbielo inmediatamente. Nunca repare, suelde o haga modificaciones al tanque de aire o sus accesorios. Nunca cambie los ajustes de presión de fábrica.</p> <p data-bbox="1036 1398 1455 1482">Nunca sobrepase las capacidades máximas de presión admisibles de los accesorios.</p> <p data-bbox="1036 1524 1455 1640">Debido al calor extremo, no use tubería de plástico ni juntas estañosoldadas en el tubo de descarga.</p> <p data-bbox="1036 1682 1455 1766">Nunca use el compresor de aire para inflar objetos pequeños de baja presión tales como juguetes.</p>



## MEDIDAS DE SEGURIDAD

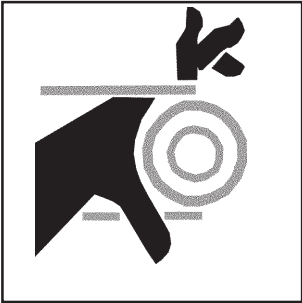
LEA TODAS LAS MEDIDAS DE SEGURIDAD ANTES DE USAR EL COMPRESOR DE AIRE

RIESGO	POTENTIAL CONSEQUENCE	PREVENCIÓN
<p><b>RIESGO PARA LAS VIAS RESPIRATORIAS</b></p> 	<p>Podrían ocurrir lesiones graves o la muerte si se inhala el aire comprimido. El chorro de aire puede contener monóxido de carbono, vapores tóxicos o partículas sólidas. Los materiales aplicados con pulverizador tales como pintura, diluyentes de pintura, quitapinturas, insecticidas, matamalezas, etc. contienen vapores nocivos y venenos.</p>	<p>Nunca inhale el aire del compresor de aire ya sea directamente o a través de un aparato respirador conectado al compresor de aire.</p> <p>Utilice el compresor de aire solamente en un lugar bien ventilado. Siga todas las instrucciones de seguridad suministradas con los materiales que está pulverizando. Es posible que tenga que usar un respirador cuando trabaje con ciertos materiales.</p>
<p><b>RIESGO DE QUEMADURAS</b></p> 	<p>Podrían ocurrir lesiones graves si se tocan las piezas metálicas al descubierto.</p> <p>Estas partes pueden permanecer calientes por algún tiempo después de apagar el compresor de aire.</p>	<p>No permita que ninguna parte de su cuerpo u otros materiales queden en contacto con las piezas metálicas al descubierto en el compresor de aire.</p>
<p><b>RIESGO DE SER GOLPEADO POR OBJETOS VOLANTES</b></p> 	<p>El chorro de aire comprimido puede dañar los tejidos blandos.</p> <p>Pueden ocurrir lesiones graves a causa de residuos sueltos lanzados a gran velocidad por el chorro de aire comprimido.</p>	<p>Use siempre gafas de seguridad "Z87" exigidas por OSHA para protegerse los ojos contra los residuos volantes.</p> <p>Nunca dirija el chorro de aire contra su cuerpo u otras personas o animales.</p> <p>Nunca deje el compresor de aire presurizado desatendido. Apague el compresor de aire y descargue la presión antes de intentar hacer trabajos de mantenimiento, conectar herramientas o accesorios.</p> <p>Manténgase siempre a una distancia segura de personas y animales mientras utiliza el compresor de aire.</p> <p>No traslade el compresor de aire mientras el tanque está presurizado. No intente mover el compresor de aire tirándolo de la manguera.</p>



## MEDIDAS DE SEGURIDAD

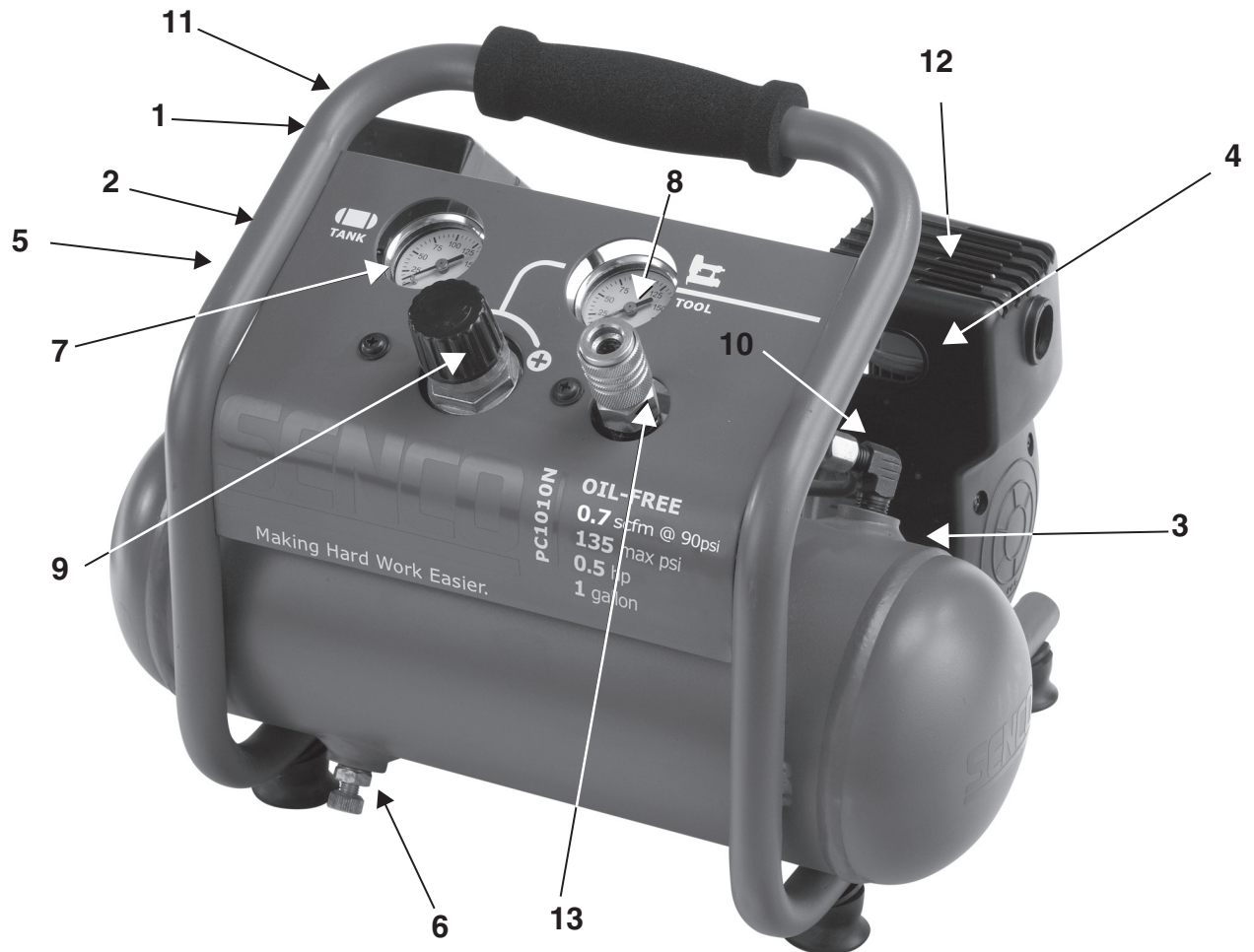
LEA TODAS LAS MEDIDAS DE SEGURIDAD ANTES DE USAR EL COMPRESOR DE AIRE

RIESGO	CONSECUENCIA POTENCIAL	PREVENCIÓN
<p><b>RIESGO DE LAS PIEZAS EN MOVIMIENTO</b></p> 	<p>Riesgo de ser lesionado por las piezas en movimiento. Este compresor de aire funciona automáticamente cuando el interruptor de presión está en la posición de "ON/AUTO" (encendido/automático).</p>	<p>Apague siempre el compresor de aire cuando no esté en uso. Antes de hacer trabajos de mantenimiento, purgue la presión de la manguera de aire y desenchufe el cordón eléctrico del tomacorriente. Todas las reparaciones del compresor de aire debe hacerlas una técnico de servicio autorizado. Nunca dé por supuesto que no es peligroso trabajar en el compresor de aire, simplemente porque no está funcionando. ¡Puede arrancar imprevistamente en cualquier momento! No lo utilice sin que tenga instaladas las cubiertas o protectores. Reemplace las cubiertas y los protectores antes de usar el compresor de aire.</p>
<p><b>RIESGO POR NEGLIGENCIA</b></p>	<p>Riesgo de lesionarse debido al uso descuidado.</p>	<p>¡Nunca permita que niños o adolescentes usen este compresor de aire!</p> <p>Manténgase alerta - preste atención a lo que está haciendo. No use el compresor de aire cuando está fatigado o ha tomado bebidas alcohólicas o drogas. Sepa cómo parar el compresor de aire. Aprenda bien el manejo de los controles.</p>
<p><b>RIESGO DE DAÑAR EL COMPRESOR DE AIRE</b></p>	<p>Riesgo de reparaciones importantes.</p>	<p>No use el compresor de aire sin el filtro de aire.</p> <p>No use el compresor de aire en un ambiente corrosivo.</p> <p>Coloque siempre el compresor de aire en posición estable y segura para evitar que se caiga mientras está funcionando.</p> <p>Siga todas las instrucciones de mantenimiento presentadas en este manual.</p>

**! ¡GUARDE ESTAS INSTRUCCIONES!**



## CARACTERÍSTICAS DEL COMPRESOR



- 1 Interruptor de motor/presión
- 2 Protector contra sobrecarga térmica/Reposición
- 3 Filtro de admisión de aire
- 4 Bomba del compresor de aire
- 5 Válvula de seguridad
- 6 Válvula de purga del tanque de aire
- 7 Manómetro del tanque
- 8 Manómetro de presión de salida
- 9 Regulador de presión
- 10 Tubo de descarga
- 11 Cordón de alimentación de 115 voltios
- 12 Orificios de venteo/cubierta protectora
- 13 Desacople rápido



## CARACTERÍSTICAS DEL COMPRESOR

**1) INTERRUPTOR DEL MOTOR/PRESIÓN:** Este interruptor se usa para arrancar o parar (apagar) el compresor de aire. Al moverlo a la posición "ON" (encendido) se suministra alimentación automática al interruptor de presión lo que permitirá que el motor arranque cuando la presión del tanque de aire está por debajo de la presión de "activación" ajustada en fábrica. Cuando se coloca en la opción de Start/Stop Option (arranque/parada), el interruptor de presión apaga el motor cuando la presión del tanque de aire llega a la presión de "desactivación" ajustada en fábrica. Para fines de seguridad, este interruptor también tiene una válvula de seguridad de presión ubicada en el costado del interruptor, diseñada para descargar automáticamente el aire comprimido del cabezal de la bomba del compresor y su tubo de descarga cuando el compresor llega a la presión de "desactivación" o se apaga el motor. Esto permite que el motor vuelva a arrancar libremente. Al mover el interruptor a la posición "OFF" (apagado) se corta la alimentación al interruptor de presión y se apaga el compresor de aire.

**2) PROTECTOR CONTRA SOBRECARGA DEL MOTOR:** El motor tiene un disyuntor de circuito protector ubicado en la bomba. El consumo excesivo de amperaje causará el disparo del disyuntor para proteger al operador y motor. Reposicione el disyuntor oprimiendo el vástago de plástico negro hacia dentro de la caja. Reposicione el disyuntor si se dispara.

**3) FILTRO DE ADMISIÓN DE AIRE:** El filtro está diseñado para limpiar el aire que entra a la bomba. Para asegurar que la bomba recibe continuamente un suministro de aire seco, frío y limpio, este filtro debe estar siempre limpio y los orificios de venteo libres de obstrucciones. El filtro puede sacarse para limpiarlo con agua tibia jabonosa. Enjuague el filtro y déjelo secar al aire.

**4) BOMBA DEL COMPRESOR DE AIRE:** Para comprimir el aire, el pistón sube y baja en el cilindro. En la carrera descendente, la válvula de admisión aspira aire del exterior mientras la válvula de escape permanece cerrada. En la carrera ascendente, el aire se comprime, la válvula de admisión se cierra y el aire comprimido es forzado al exterior a través de la válvula de escape al tubo de descarga, a través de la válvula de retención (antirretorno) y al interior del tanque de aire.

**5) VÁLVULA DE SEGURIDAD:** Esta válvula está diseñada para evitar fallas en el sistema, descargando la presión del sistema cuando el aire comprimido llega a un nivel predeterminado. La válvula es preajustada por el fabricante y no debe modificarse de manera alguna. Para verificar si la válvula está funcionando correctamente, tire del anillo. Deberá escapar presión de aire. Al soltar el anillo, se reasentará.

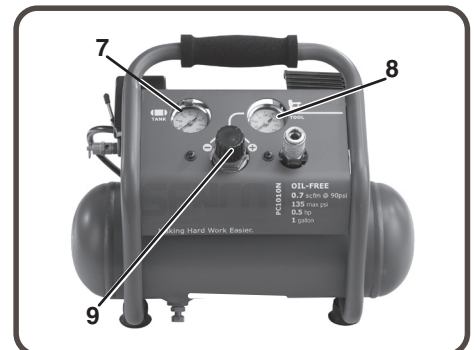
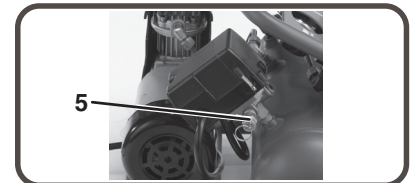
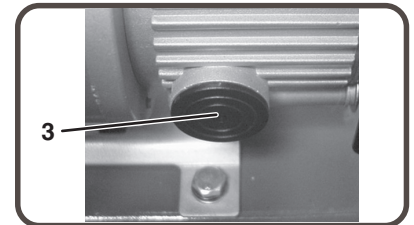
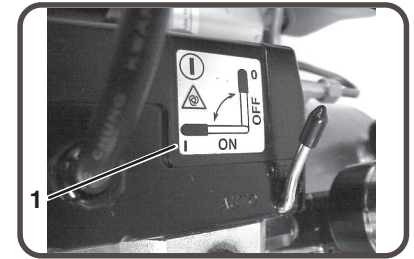
**6) VÁLVULA DE PURGA DEL TANQUE DE AIRE:** Esta válvula se usa para purgar la humedad del tanque (tanques) de aire después que se apaga el compresor de aire. **¡NUNCA intente abrir la válvula de purga cuando la presión en el tanque es superior a 10 psi!** Para abrir la válvula de purga, gire la perilla en sentido contrario a las agujas del reloj. Incline el tanque para asegurarse que toda la condensación se vacía a través de la válvula.

**7) MANÓMETRO DEL TANQUE DE AIRE:** Este manómetro indica la presión de aire de reserva en el tanque (tanques) de aire.

**8) MANÓMETRO DE PRESIÓN DE SALIDA:** Este manómetro indica la presión de aire disponible en el lado de salida del regulador. Esta presión la controla el regulador y siempre es menor o igual que la presión del tanque de aire.

**9) REGULADOR DE PRESIÓN:** La presión de aire proveniente del tanque de aire se controla mediante la perilla del regulador. Gire la perilla de regulación en sentido de las agujas del reloj para aumentar la presión de descarga, y en sentido contrario para disminuirla.

**10) TUBO DE DESCARGA:** Sírvase notar que el tubo de descarga está muy caliente.



# PREPARACIÓN

## MONTAJE INICIAL:

1. Lea las medidas de seguridad antes de montar el compresor de aire.

## EMPLAZAMIENTO:

**ATENCIÓN**  
Para evitar dañar el compresor de aire, no lo incline más de 10" en sentido transversal o longitudinal.

1. Coloque el compresor de aire a una distancia de por lo menos 30cm de obstáculos que pudieran impedir la ventilación adecuada.

No coloque el compresor de aire en un lugar:

- donde hay evidencia de fugas de aceite o gas.
- donde puedan haber materiales o vapores de gas inflamables.



### ADVERTENCIA

Podrían ocurrir graves lesiones o la muerte si las chispas eléctricas del interruptor del motor y presión llegaran a quedar en contacto con vapores inflamables, polvo combustible, gases u otros materiales combustibles. Cuando use el compresor de aire para pintar con pistola, colóquelo tan lejos como sea posible del lugar de trabajo, utilizando mangueras de aire adicionales en lugar de cordones eléctricos de extensión.

-donde las temperaturas ambientales son inferiores a 0°C o superiores a 40°C.

-donde existe la posibilidad de aspirar aire o agua extremadamente sucio al compresor.

## SISTEMA ELÉCTRICO:



### PELIGRO

La conexión incorrecta del equipo-conductor de conexión a tierra puede resultar en riesgo de electrochoque o electrocución. Ante cualquier duda respecto a la conexión a tierra del tomacorriente, consulte con un perito electricista o técnico de servicio. No use ningún tipo de adaptador con este producto. En caso de ser necesario reparar o reemplazar el cordón o enchufe, no conecte el alambre de tierra a ninguno de los terminales de bayoneta planos. El alambre con aislamiento de superficie exterior de color verde con o sin rayas amarillas, es el alambre de tierra.



### ADVERTENCIA

Este producto debe estar conectado a tierra. En el caso de ocurrir un malfuncionamiento o falla, la conexión a tierra proporciona un paso de menor resistencia para la corriente eléctrica con el fin de reducir el riesgo de electrochoque. Este producto está equipado con un cordón que tiene un conductor de conexión a tierra del equipo y un enchufe tipo conexión a tierra. El enchufe con conexión a tierra debe enchufarse a un tomacorriente correctamente instalado y conectado a tierra de acuerdo con todos los códigos y ordenanzas respectivos.

1. SENCO® NO RECOMIENDA EL USO DE CORDONES DE EXTENSIÓN, ya que esto puede crear pérdida de potencia y sobrecalentamiento del motor. Se recomienda el uso de una manguera de aire adicional en vez de un cordón de extensión. Si el uso de un cordón de extensión es inevitable, se deberá enchufar en un interruptor accionado por corriente de pérdida a tierra (GFCI) encontrado en las cajas de circuitos o receptáculos protegidos. Cuando use un cordón de extensión, respete lo siguiente:

Longitud del cable	Calibre del alambre
Hasta 8 meters	12 AWG
Hasta 30 meters	10 AWG
Hasta 50 meters	8 AWG
Hasta 75 meters	6 AWG

Use solamente cables de extensión de 3 clavijas que tengan enchufes de 3 clavijas tipo conexión a tierra y conectores de 3 ranuras para cordón que acepten el enchufe del producto. Use solamente cordones de extensión de una capacidad eléctrica no inferior a la capacidad nominal del producto. No use cordones de extensión dañados. Examine el cordón de extensión antes de usarlo, y cámbielo si está dañado. No maltrate el cordón de extensión y no tire de él para desenchufarlo. Mantenga el cordón lejos del calor y los cantos agudos. Apague siempre el interruptor del compresor de aire antes de desenchufar el enchufe del tomacorriente.

## FUNCIONAMIENTO

### LISTA DE COMPROBACIÓN ANTES DE LA PUESTA EN MARCHA:

- Quite toda la humedad del tanque de aire del compresor. Descargue el exceso de presión con una herramienta neumática y después abra la válvula de purga ubicada en la parte inferior del tanque. Ciérrela bien apretada después de purgar.



**ADVERTENCIA: Riesgo de lesiones corporales. ¡NUNCA intente abrir la válvula de vaciado cuando la presión en el tanque es superior a 10 psi!**

2. Asegúrese que el interruptor del motor del compresor de aire esté en la posición "OFF" (apagado).
3. Asegúrese que todas las válvulas de seguridad estén funcionando correctamente.
4. Asegúrese que todos los protectores y cubiertas estén en su lugar y firmemente instalados.

### PUESTA EN MARCHA

1. Asegúrese que la palanca en la caja del interruptor de presión esté en la posición "OFF" (apagado).
2. Enchufe el cordón de alimentación en un tomacorriente conectado a tierra.
3. Mueva la palanca en la caja del interruptor de presión a la posición "ON" (encendido).
4. Esto permitirá que el compresor de aire ARRANQUE para aumentar la presión en los tanques de aire y que PARE cuando llega a la presión correcta. Cuando la presión disminuye con el uso, el compresor de aire ARRANCA para aumentar la presión nuevamente.
5. Ajuste la presión moviendo la perilla del regulador de presión en sentido contrario a las agujas del reloj para reducir la presión y en sentido de las agujas del reloj para aumentarla.
6. Si nota cualquier ruido o vibración fuera de lo normal, apague el compresor de aire y consulte la sección "Localización y solución de averías."

### PARADA:

1. Para apagar el compresor de aire, mueva la palanca en la caja del interruptor de presión a la posición "OFF" (apagado). No apague NUNCA el compresor de aire desenchufándolo de la fuente de alimentación. Al hacerlo corre el riesgo de electrocutarse.
2. Purgue el aire del tanque, utilizando una llave neumática conectada al compresor o tirando del anillo de la válvula de seguridad.
3. Una vez que la presión en los tanques de aire indica menos de 10 libras, abra la válvula de vaciado, ubicada debajo de cada tanque, para vaciar la humedad.
4. Deje que el compresor de aire se enfríe.
5. Limpie el compresor con un trapo y guárdelo en un lugar seguro y no expuesto a congelación.

### MANTENIMIENTO

Lea el manual de instrucciones antes de efectuar trabajos de mantenimiento. Ejecute los procedimientos siguientes cuando pare el compresor de aire para mantenimiento o servicio.

1. Apague el compresor de aire.



**ADVERTENCIA: Nunca suponga que no es peligroso trabajar en el compresor de aire simplemente porque no está funcionando. ¡Puede arrancar imprevistamente en cualquier momento!**

2. Desconecte el cordón de la fuente de alimentación principal.
3. Abra todas las válvulas de purga.
4. Espere que el compresor de aire se enfríe antes de comenzar el mantenimiento.

### CUADRO DE MANTENIMIENTO

PROCEDIMIENTO	DIARIO	SEMANAL	MENSUAL
Vaciar la condensación del tanque (tanques) de aire	X		
Revisar si hay ruidos o vibración fuera de lo común	X		
Revisar si hay fugas de aire	X		
Inspeccionar el filtro de aire		X	
Limpiar el exterior del compresor		X	
Revisar la válvula de seguridad			X

## LOCALIZACIÓN Y SOLUCIÓN DE AVERÍAS

### Síntoma 1. El motor no funciona ni vuelve a arrancar

#### CAUSA PROBABLE

El cordón de alimentación no está enchufado.

El interruptor del motor/presión está en posición "OFF" (apagado).

El interruptor de sobrecarga térmica del motor se disparó.

Fusible quemado o disyuntor de circuito disparado.  
Alambre de calibre incorrecto o cordón de extensión de longitud incorrecta.

La presión del tanque de aire sobrepasa la presión de "activación" del interruptor del motor/presión.

La válvula de seguridad en el interruptor del motor/presión no ha descargado la presión en la bomba.

Defecto en el motor, condensador del motor, interruptor del motor/presión, o válvula de retención.

#### SOLUCIÓN

Enchufar el cordón en un tomacorriente conectado a tierra.

Mover el interruptor a la posición "ON" (encendido).  
Apagar el compresor, esperar hasta que el motor esté frío y después revisar el disyuntor de circuito del motor.  
Cambiar el fusible o reactivar el disyuntor de circuito.  
Comprobar el amperaje del fusible.

Verificar si hay condiciones de bajo voltaje.  
Desconectar cualquier otro artefacto eléctrico del circuito o hacer funcionar el compresor de aire en su propio circuito derivado.  
Averigüe el calibre correcto del alambre y el largo de cable adecuado en el cuadro en la página 10..

El motor arrancará automáticamente cuando la presión del tanque de aire disminuye a menos de la presión de "activación" del interruptor del motor/presión.  
Purgar la conducción, moviendo el interruptor a la posición "OFF" (apagado).  
Contactar al departamento de Atención al Cliente de Senco.

### Síntoma 2. Cuando está en la posición "ON" (encendido), el motor funciona continuamente.

#### CAUSA PROBABLE

El interruptor del motor/presión no apaga el motor cuando el compresor de aire llega a la presión de "desactivación" y la válvula de seguridad se activa.

El tamaño del compresor es incorrecto.

#### SOLUCIÓN

Mover el interruptor del motor/presión a la posición "OFF". Si el motor no se apaga, desenchufar el compresor de aire. Si los contactos eléctricos están soldados juntos, reemplazar el interruptor de presión.

Limitar la presión de aire a la capacidad del compresor.  
Usar ya sea una herramienta más pequeña o un compresor de mayor tamaño.

### Síntoma 3. El aire continúa escapando por la válvula de seguridad del interruptor del motor /presión después que el motor se para.

#### CAUSA PROBABLE

Válvula piloto defectuosa, la válvula retención está abierta.

#### SOLUCIÓN

Retirar, limpiar o reemplazar.

### Síntoma 4. El aire continúa escapando por la válvula de seguridad del interruptor del motor /presión mientras el motor está funcionando.

#### CAUSA PROBABLE

Interruptor del motor/presión defectuoso.

#### SOLUCIÓN

Reemplazarlo.

### Síntoma 5. Escape de aire por la válvula de seguridad.

#### CAUSA PROBABLE

Posible válvula de seguridad defectuosa.  
Exceso de presión en el tanque de aire.

#### SOLUCIÓN

Activar manualmente la válvula de seguridad rando del anillo. Si todavía pierde, reemplazarla.  
Interruptor del motor/presión defectuoso.  
Reemplazarlo.

## LOCALIZACIÓN Y SOLUCIÓN DE AVERÍAS

### Síntoma 6. Fugas de aire en los accesorios.

**CAUSA PROBABLE**

Los accesorios no están bien apretados.

**SOLUCIÓN**

Apretarlos donde se escuche escapar el aire. Probar los accesorios con una solución de agua jabonosa. No sobreapretar.

### Síntoma 7. Fuga de aire en el tanque de aire.

**CAUSA PROBABLE**

Tanque de aire defectuoso u oxidado.

**SOLUCIÓN**

Se debe reemplazar el tanque de aire. ¡No intentar reparar el tanque de aire!

### Síntoma 8. Sale un chorro de aire por el filtro de admisión.

**CAUSA PROBABLE**

Válvula (de lámina) de entrada dañada.

**SOLUCIÓN**

Contactar al depto. de Atención al Cliente SENCO, 888-222-8144.

### Síntoma 9. Presión insuficiente en el implemento o herramienta neumática.

**CAUSA PROBABLE**

La perilla del regulador de presión no está en la posición de presión bastante alta o el regulador de presión está defectuoso.  
Filtro de admisión de aire obturado.  
Fugas de aire.  
El compresor de aire no es lo bastante grande para el aire requerido.

**SOLUCIÓN**

Ajustar la perilla del regulador de presión a la posición correcta o cambiarla.  
  
Limpiarlo.  
Ver si hay fugas y repararlas.  
Verificar el requerimiento de aire del implemento. Si es mayor que suministro de presión o pulg<sup>3</sup>/min del compresor de aire, se necesita un compresor de mayor tamaño.

### Síntoma 10. El compresor no produce suficiente aire.

**CAUSA PROBABLE**

Filtro de admisión de aire obturado.

Válvula (de láminas) defectuosa.

**SOLUCIÓN**

Limpiarla.

Vaciar el tanque de aire y medir el tiempo de bombeo. Comparar con las especificaciones. Si es menor, retirar el cabezal de la bomba e inspeccionar la placa de válvula. Limpiar o reemplazar.

### Síntoma 11. Hay humedad en el aire de descarga.

**CAUSA PROBABLE**

Condensación en el tanque de aire causada por un alto nivel de humedad atmosférica, o se hace funcionar el compresor de aire lo suficiente.

**SOLUCIÓN**

Vaciar el tanque de aire después de cada uso. Vaciar el tanque de aire más frecuentemente en climas húmedos y colocar un filtro en el tubo de aire.

## ESPECIFICACIONES

<b>N° de modelo</b>	PC 1010N
<b>Motor</b>	
Potencia	1 HP (pico) 1/2 HP (en funcionamiento)
Voltaje	115V
Amperaje	4 A
Hz	60 Hz
Fase	monofásico
rev/min.	3400
<b>Bomba del compresor</b>	
Número de cilindros	1
Etapas de compresión	1
Cigüeñal	Aluminio
Cojinetes	de bola
Cilindro	Aluminio
Válvulas	de láminas (reed) sencilla
Cabezal	Aluminio
Filtro	inserto
<b>Ajuste del interruptor del motor/presión</b>	
Desactivación	135 psi (9,3 bar)
Activación	105 psi (7,2 bar)
Controles	Comenzar/parar
<b>Tanque de aire</b>	
Capacidad	1 galón
<b>Rendimiento</b>	
Desplazamiento de aire pies <sup>3</sup> /min	1,4
pies <sup>3</sup> /min a 40 psi	1,0
pies <sup>3</sup> /min a 90 psi	0,7
pies <sup>3</sup> /min a 100 psi	0,6
Presión máxima	135 psi (9,3 bar)
Tiempo de bombeo: 0 a 135 psi	102 segundos
Tiempo de recuperación:	
105 a 135 psi	27 segundos
Neto	9 kg (21 lbs.)
<b>Dimensiones:</b>	
Básico largoxanchoxalto	35,6 x 33,0 x 25,4 cm (14" x 13" x 10")

# Limited Warranty

## SENCO® Pneumatic, DuraSpin®, Cordless Tools & Compressors

Senco Brands, Inc. ("SENCO") designs and constructs its products using the highest standards of material and workmanship. SENCO warrants to the original retail purchaser that the following products will be free from defects in material or workmanship for the warranty period specified below:

SENCO® XP Series-Red Cap Five years	SENCO PRO Series One year	SENCO Compressors One year	
SENCO® XP Series-Black Cap Two Years	SENCO DuraSpin® One year	SENCO Cordless Two years	Hand Nailers One Year
SENCO FP502 Two Years	SENCO Reconditioned Products One Year	Gas Cordless Two Years	

During the warranty period (which begins on the purchase date), SENCO will repair or replace, at SENCO's option and expense, any product or part that is defective in materials or workmanship after examination by a SENCO Authorized Warranty Service Center, subject to the exceptions, exclusions and limitations described below. Any replacement product or part will carry a warranty for the balance of the warranty period applicable to the replaced product or part. A DATED SALES RECEIPT OR PROOF OF PURCHASE FROM THE ORIGINAL RETAIL PURCHASER IS REQUIRED TO MAKE A WARRANTY CLAIM. Product registration can be accomplished through on-line Product Registration at [www.senco.com](http://www.senco.com) or by completing and returning the postage paid product registration form included with your Operator's manual/parts chart information, found inside the product carton. To make a warranty claim, you must return the product, with proper receipt/proof of purchase and return transportation charges prepaid, to a SENCO Authorized Warranty Service Center. A list of SENCO Authorized Warranty Service Centers can be found at [www.senco.com](http://www.senco.com) or by calling 1-800-543-4596 toll free. SENCO will perform its obligations under this warranty, within a reasonable time after approval of the warranty claim.

### Wheelbarrow Compressors:

- Subject to the exceptions, exclusions and limitations described below, SENCO warrants that the compressor pump will be free from defects in materials and workmanship for two years after the purchase date.
- Defective parts of the compressor pump not subject to normal wear and tear will be repaired or replaced, at SENCO's option, during the two year warranty period. If SENCO determines that repair or replacement is not feasible, SENCO will refund the purchase price less reasonable depreciation based on actual use.

### SENCO Cordless:

- Subject to the exceptions, exclusions and limitations described below, SENCO warrants that the SENCO Cordless tool will be free from defects in materials and workmanship for two years after the purchase date.
- Subject to the exceptions, exclusions and limitations described below, SENCO warrants that the batteries and chargers used with SENCO Cordless tools will be free from defects in material and workmanship for one year after the purchase date.

### WARRANTY EXCLUSIONS

The following warranty exclusions apply:

- Normal wear parts are not covered under this warranty. Normal wear parts include, for example, isolators, drive belts, air filters, rubber o-rings, seals, driver blades, piston stops, piston/driver assembly, and fuel stems.
- This warranty does not cover parts damaged due to normal wear, misapplication, misuse, accidents, operation at other than recommended speeds or voltage (electric units only), improper storage, or damage resulting during shipping.
- Products used in production/industrial applications as defined by SENCO are excluded from this warranty.
- Labor charges or loss or damage resulting from improper operation, maintenance or repairs are not covered by this warranty.
- SENCO does not warrant the Wheelbarrow Compressor Engine/Motor, but the Compressor Engine/Motor may be covered under a warranty offered by its manufacturer.

### GENERAL WARRANTY CONDITIONS

This warranty will be honored, only if:

- Clean, dry, regulated compressed air has been used, at air pressure not exceeding the maximum indicated on the tool casting;
- No evidence of abuse, abnormal conditions, accident, neglect, misuse or improper modifications or storage of the product; and
- No Deviation from operating instructions, specifications, and maintenance schedules exists (read Operator Manual for use, specifications, and maintenance instructions).

THIS WARRANTY IS THE ONLY WARRANTY ON THE PRODUCT, AND SENCO DISCLAIMS ALL OTHER WARRANTIES. ANY IMPLIED WARRANTIES WILL BE LIMITED IN DURATION TO THE APPLICABLE WARRANTY PERIOD SPECIFIED ABOVE. SOME STATES DO NOT ALLOW LIMITATIONS ON HOW LONG AN IMPLIED WARRANTY LASTS, SO THE ABOVE LIMITATION MAY NOT APPLY TO YOU. YOUR REMEDIES ARE SOLELY AND EXCLUSIVELY AS STATED ABOVE. SENCO SHALL IN NO EVENT BE LIABLE FOR INCIDENTAL, CONSEQUENTIAL, INDIRECT, OR SPECIAL DAMAGES. SOME STATES DO NOT ALLOW THE EXCLUSION OR LIMITATION OF INCIDENTAL OR CONSEQUENTIAL DAMAGES, SO THE ABOVE LIMITATION OR EXCLUSION MAY NOT APPLY TO YOU. IN NO EVENT, WHETHER AS A RESULT OF A BREACH OF CONTRACT, WARRANTY, TORT (INCLUDING NEGLIGENCE) OR OTHERWISE, SHALL SENCO'S LIABILITY EXCEED THE PRICE OF THE PRODUCT WHICH HAS GIVEN RISE TO THE CLAIM OR LIABILITY. ANY LIABILITY CONNECTED WITH THE USE OF THIS PRODUCT SHALL TERMINATE UPON THE EXPIRATION OF THE WARRANTY PERIOD SPECIFIED ABOVE. NO EMPLOYEE OR REPRESENTATIVE OF SENCO OR ANY DISTRIBUTOR OR DEALER IS AUTHORIZED TO MAKE ANY CHANGE OR MODIFICATION TO THIS WARRANTY.

This warranty gives you specific legal rights, and you may also have other rights which vary from state to state.

### REPLACEMENT OF TOOL DUE TO NATURAL DISASTER

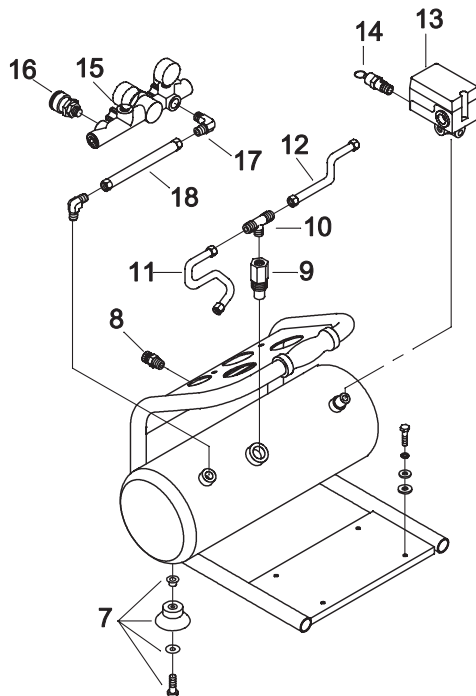
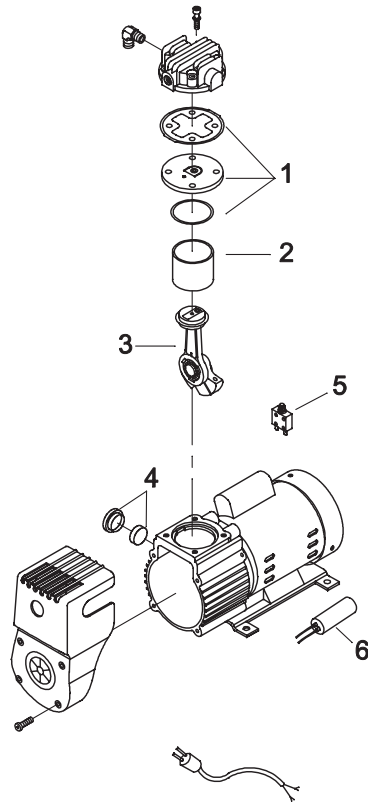
SENCO will replace any tool destroyed by an Act of God such as flood, earthquake, hurricane or other disaster resulting only from the forces of nature. Such a claim will be honored provided that such original retail purchaser had previously submitted a completed warranty registration card for the tool, and then submits proof of ownership and an acceptable statement describing such Act of God documented by an insurance carrier, police department, or other official governmental source. To obtain instructions for filing a claim call 1-800-543-4596.

### CUSTOMER SATISFACTION

One hundred percent customer satisfaction is our #1 goal. If for any reason the product does not perform to the original purchaser's satisfaction, it can be returned to the place of purchase **within thirty days** with dated sales receipt for a full refund of the purchase price.

# Compresor de aire eléctrico 1/2 HP

## Guía de referencia de piezas de repuesto



Ref. No.	No de pieza	Descripción
1	3B11DC02A	Conjunto de válvula de escape
2	3201068	Cilindro
3	3B34DC02	Conjunto de varilla
4	2140026	Conjunto de filtro de aire
5	2E2505A	Disyuntor de circuito
6	2E27010F2525	Con condensador
7	3433011A	Aislador
8	2405012	Válvula de vaciado
9	2414033A	Válvula de retención
10	2N0902H01T02H4	3-Forma de Descarga tubo
11	3B202120F	Tubo de descarga A
12	3B202190N	Tubo de descarga B
13	3Y30WS002	Interruptor de presión
14	2406016A	Válvula de alivio de presión
15	3Y30WS003	Regulador
16	PC0901	Acoplador rápido
17	2N0602T02HS	Codo de escape
18	3B202150N	Tubo de descarga